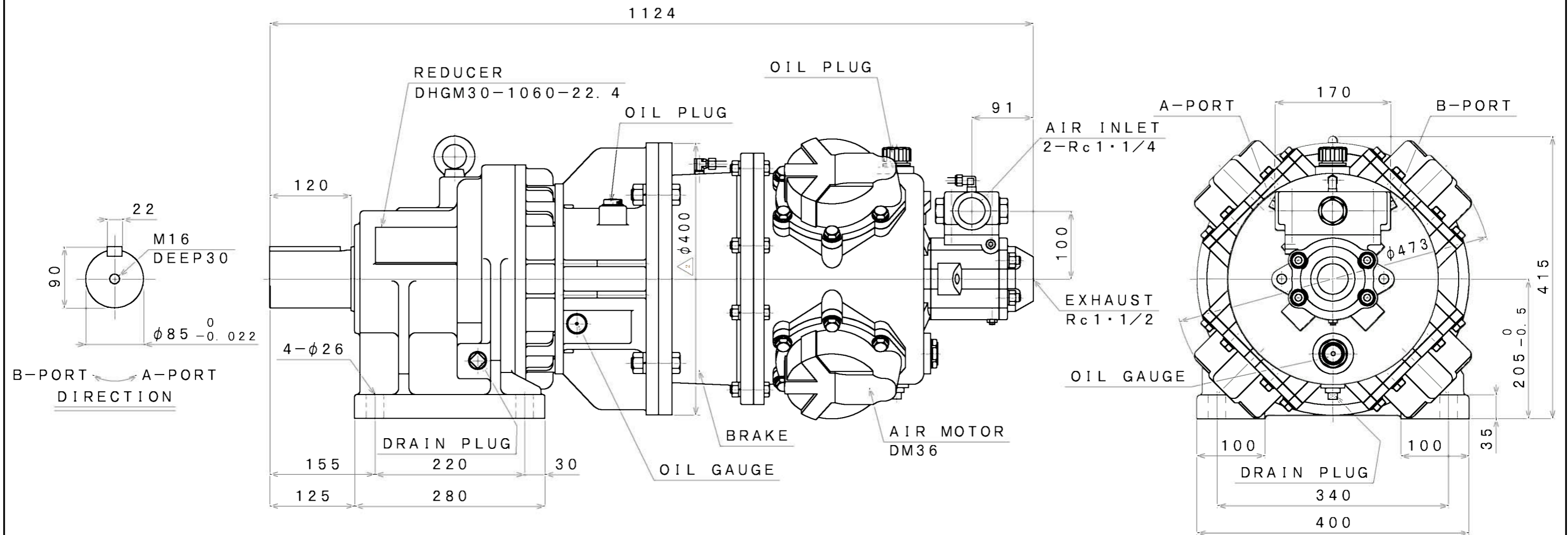


SIGN	REVISION	DATE	B Y
1	Renewal	111102	R. T
2	Renewal	160407	W. S



SPECIFICATION

AIR PRESSURE	AT MAXIMUM OUTPUT				* ALLOWABLE SHAFT LOAD		LUBRICATING OIL		MASS
	OUTPUT	SPEED	TORQUE	AIR CONSUMPTION Δ	RADIAL	THRUST	AIR MOTOR	REDUCER	
(MPa)	(kW)	(rpm)	(N·m)	(m ³ /min (nor))	(kN)	(kN)	JIS K2213-1 Turbine Oil	JIS K2219 Gear Oil	(kg)
0.6	11.43	32	3410	9.0	24.4	-	ISJ VG32 (1300cc)	ISJ VG220 (2200cc)	about 310
0.5	9.23	29	3040	7.5					
0.4	7.26	27	2568	6.5					

*: At Mid of Shaft

APPROVED	CHECKED	REVIEWED	DRAWN	PARTICULARS	OUTLINE DRAWING	DATE	OCT. 12. 2010
M. M	M. S	K. S	W. S	MODEL	DM36B-G-1060-22.4	NOTE	
SAN-EI SEIKI SEISAKUSHO CO., LTD.					DWG. NO.	E310-608	SCALE 1/6