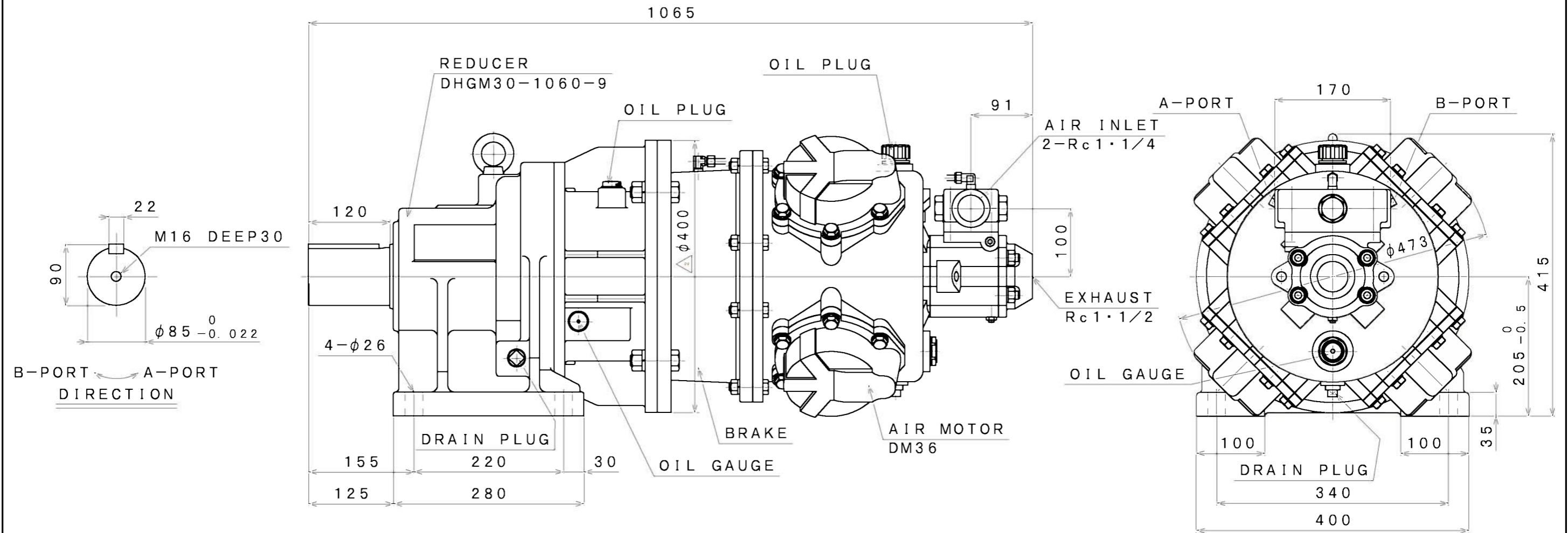


SIGN	REVISION	DATE	B Y
△1	Renewal	111102	R. T
△2	Renewal	160407	W. S



SPECIFICATION

AIR PRESSURE (MPa)	AT MAXIMUM OUTPUT				* ALLOWABLE SHAFT LOAD		LUBRICATING OIL		MASS (kg)
	OUTPUT (kW)	SPEED (rpm)	TORQUE (N·m)	AIR CONSUMPTION (m ³ /min (nor))	RADIAL (kN)	THRUST (kN)	AIR MOTOR	REDUCER	
0.6	11.70	79	1415	9.0	18.0	-	JIS K2213-1 Turbine Oil	JIS K2219 Gear Oil	about 291
0.5	9.51	72	1262	7.5			ISO VG32 (1300cc)	ISO VG220 (2000cc)	
0.4	7.37	66	1066	6.5					

*:At Mid of Shaft

APPROVED	CHECKED	REVIEWED	DRAWN	PARTICULARS	OUTLINE DRAWING	DATE	OCT. 12. 2010
M. M	M. S	K. S	W. S	MODEL	DM36B-G-1060-9	NOTE	
SAN-EI SEIKI SEISAKUSHO CO., LTD.					DWG. NO.	E310-607	SCALE 1/6