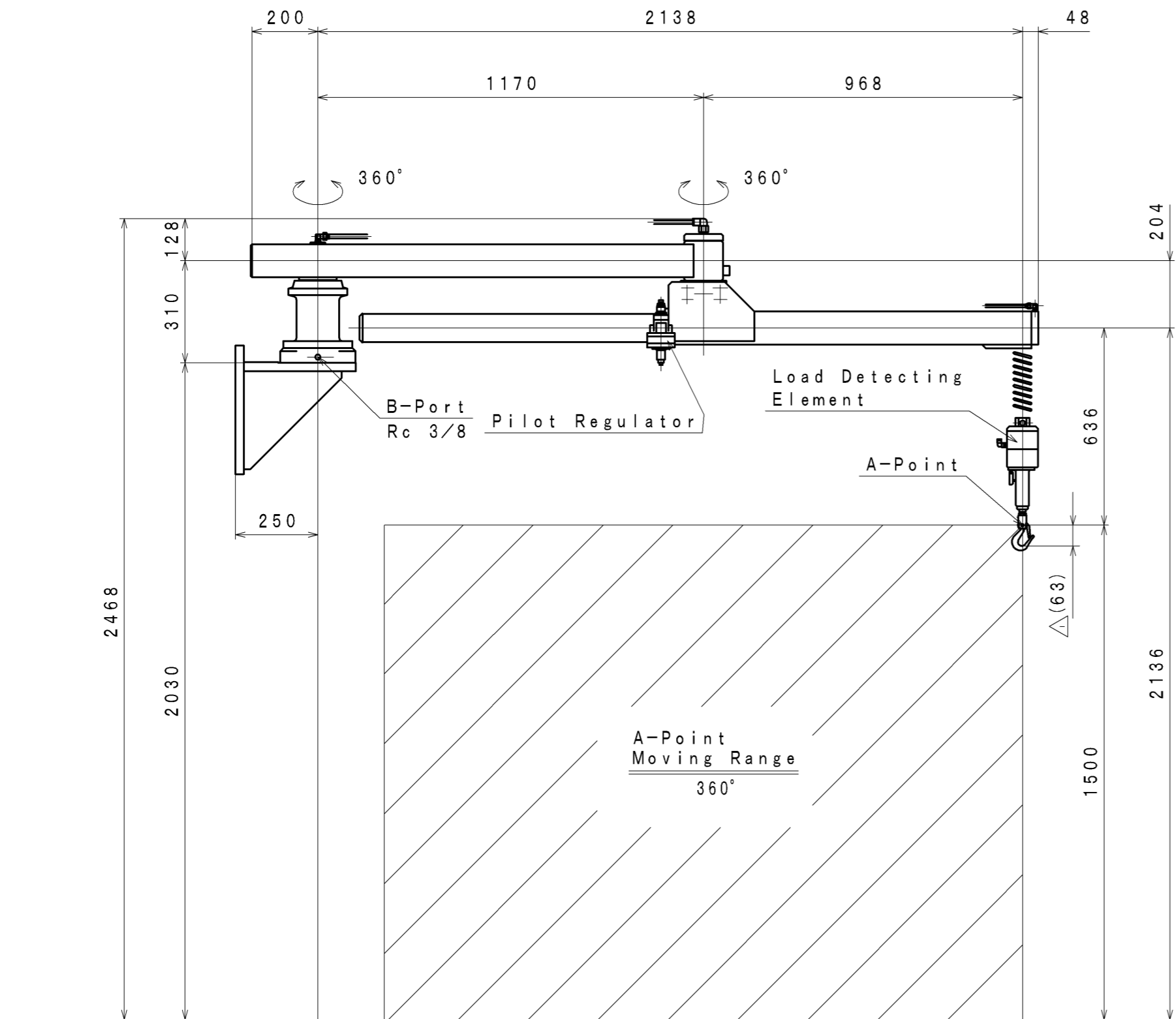
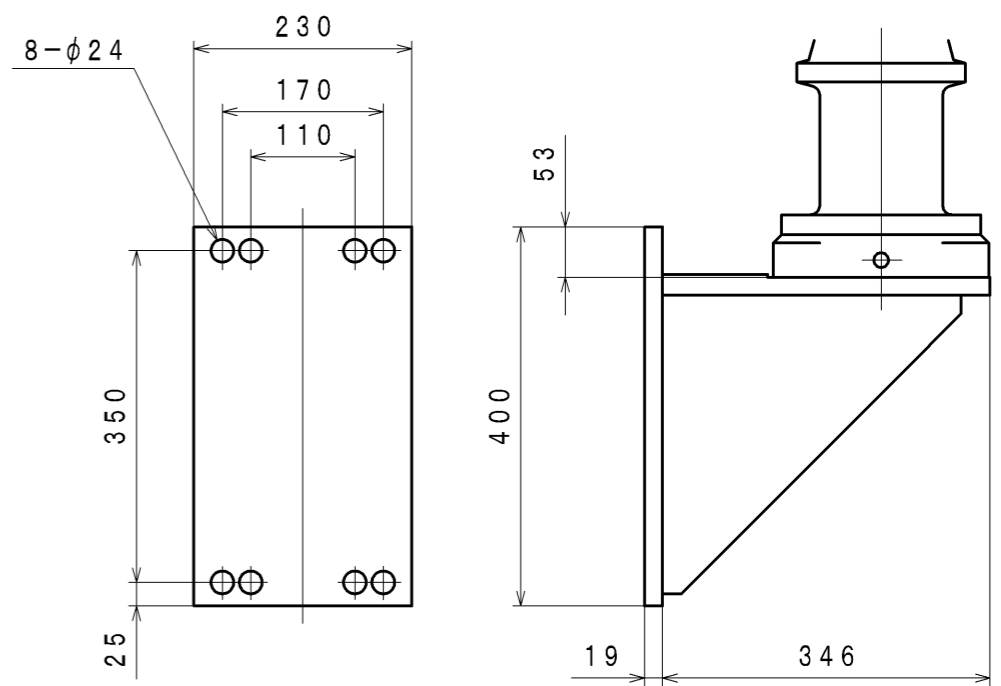


SIGN	REVISION	DATE	BY
△	Renewal	160411	W. S

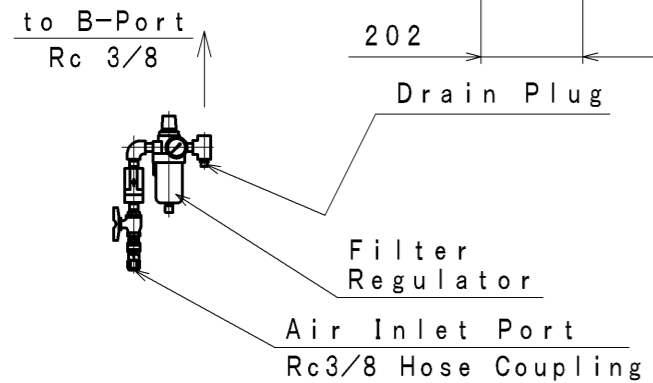


Setting Bracket Detail



SPECIFICATION △

Air Pressure	0. 6MPa (6 kgf/cm ²)
Maximum Suspension Load (Attachment Weight is contained.)	1. 2kN (120 kgf)
Vertical Movement Range	1500 mm
Maximum Turning Angle	360°
Weight	約160kg



APPROVED	CHECKED	REVIEWED	DRAWN	PARTICULARS	OUTLINE DRAWING	DATE	JAN. 18. 1996
M. S		R. T	W. S	MODEL	BTA120A-W	NOTE	
					Air Balancer	Z95-029	
SAN-EI SEIKI SEISAKUSHO CO., LTD.					DWG. NO.	E396-025	SCALE 1/15