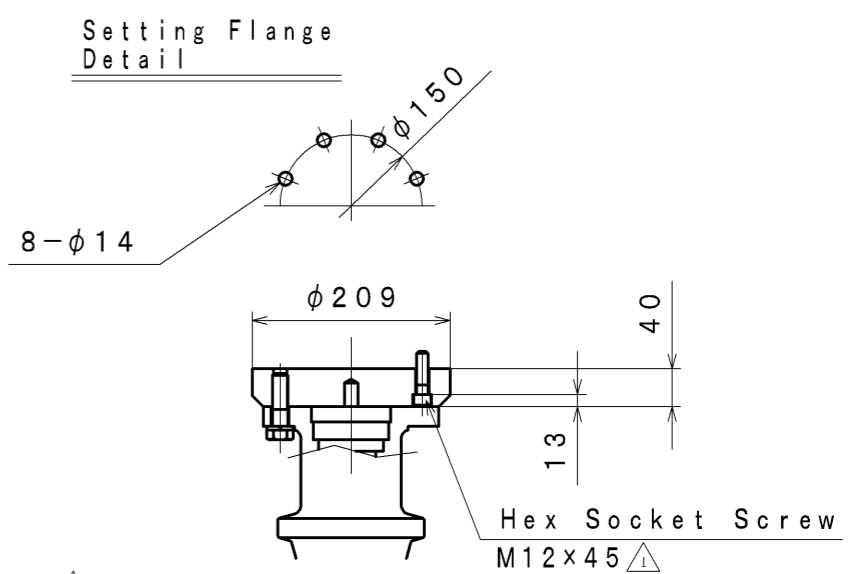
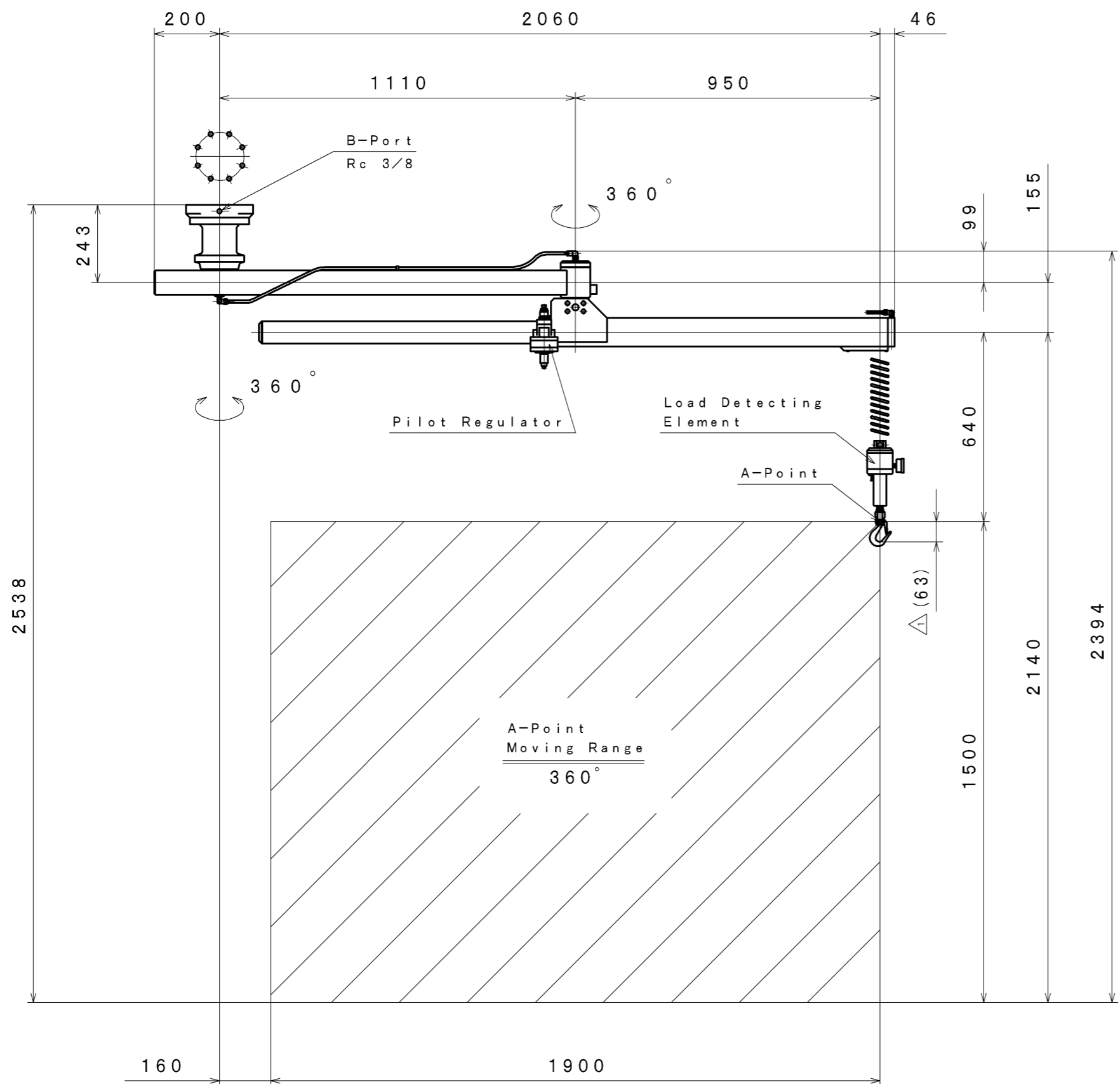
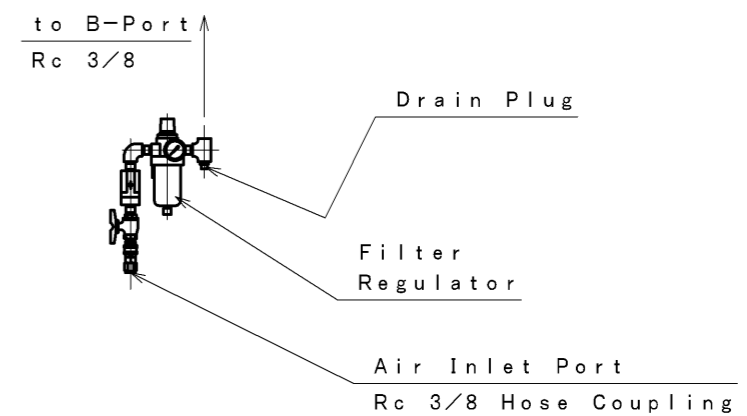


SIGN	REVISION	DATE	B Y
①	Q-317	961014	M. T
②	Renewal	151030	Y. T



**SPECIFICATION**

Air Pressure	0.6 MPa (6 kgf/cm <sup>2</sup> )
Maximum Suspension Load (Attachment Weight is contained.)	0.8 kN (80 kgf)
Vertical Movement Range	1500 mm
Maximum Turning Angle	360°
Weight	約70 kg



APPROVED	CHECKED	REVIEWED	DRAWN	PARTICULARS	OUTLINE DRAWING	DATE	JAN. 09. 1996
M. S		R. T	W. S	MODEL	BTA80A-C	NOTE	
					Air Balancer	Z95-019	
SAN-EI SEIKI SEISAKUSHO CO., LTD.					DWG. NO.	E396-004	SCALE
						②	1/15