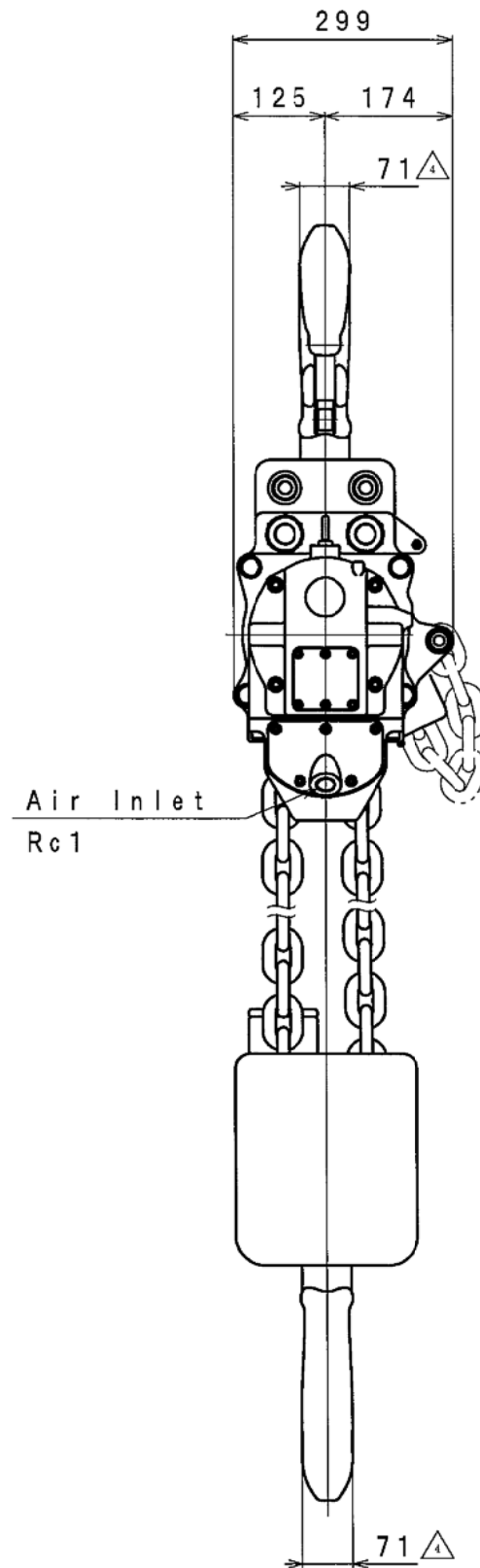
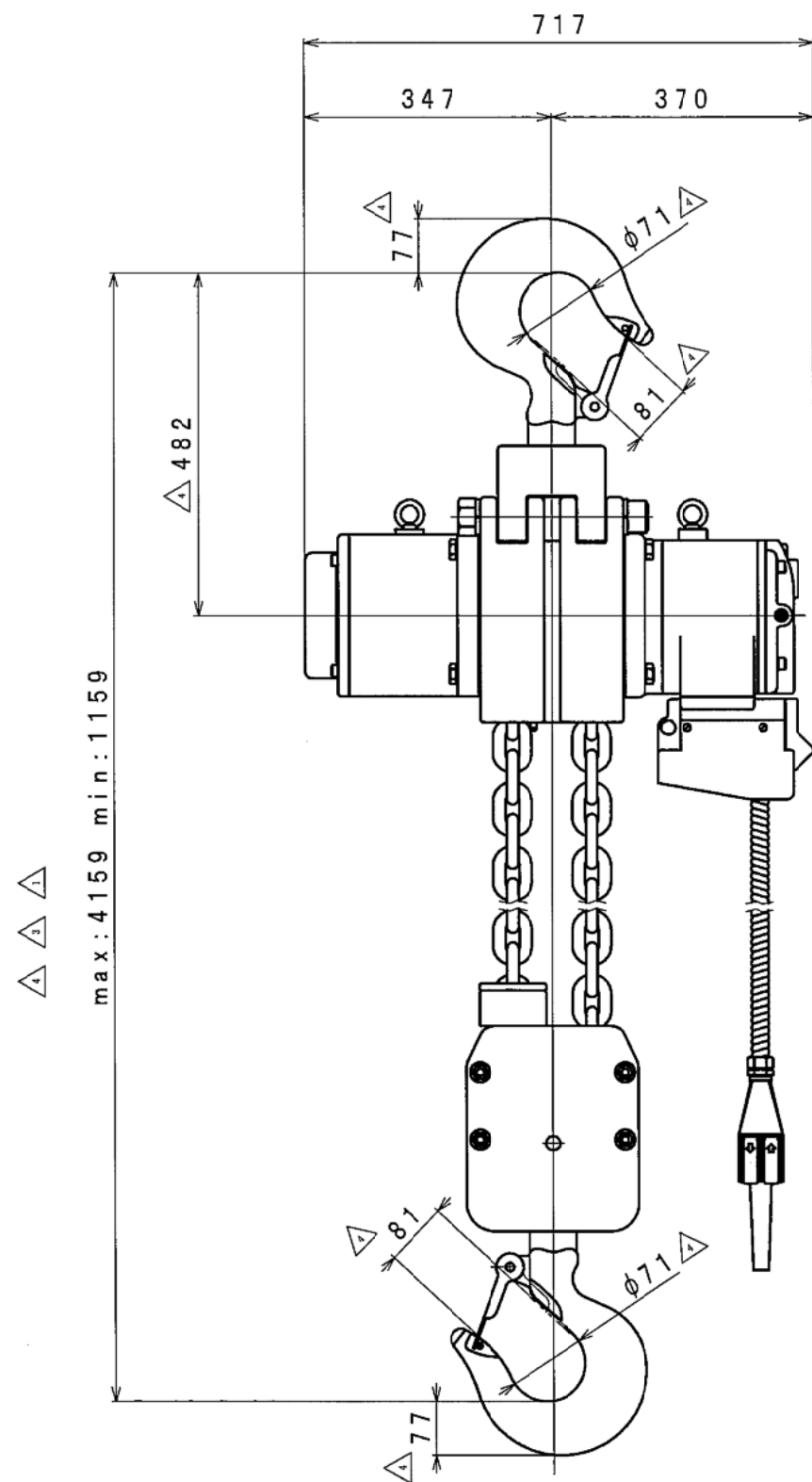


SIGN	REVISION	DATE	BY
△	Renewal	120413	M. A
△	Renewal	120614	M. A
△	Renewal	120704	M. A
△	Renewal	120719	M. A



REFERENCE

SPECIFICATION

AIR PRESSURE	(MPa)	0.5	
CAPACITY	(kg)	20000	△
LIFTING SPEED	(m/min)	0.8	
AIR CONSUMPTION	(m ³ /min (nor))	about 6.2	△ △
LIFT	(m)	3	△
MASS	(kg)	about 330	△ △

APPROVED	CHECKED	REVIEWED	DRAWN	PARTICULARS	OUTLINE DRAWING	DATE	APR. 11. 2012
<i>[Signature]</i>	<i>[Signature]</i>		<i>Masaharu Abe</i>	MODEL	GLX20LP	NOTE	
SAN-EI SEIKI SEISAKUSYO CO., LTD.					DWG. NO.	E312-091	SCALE 1/10