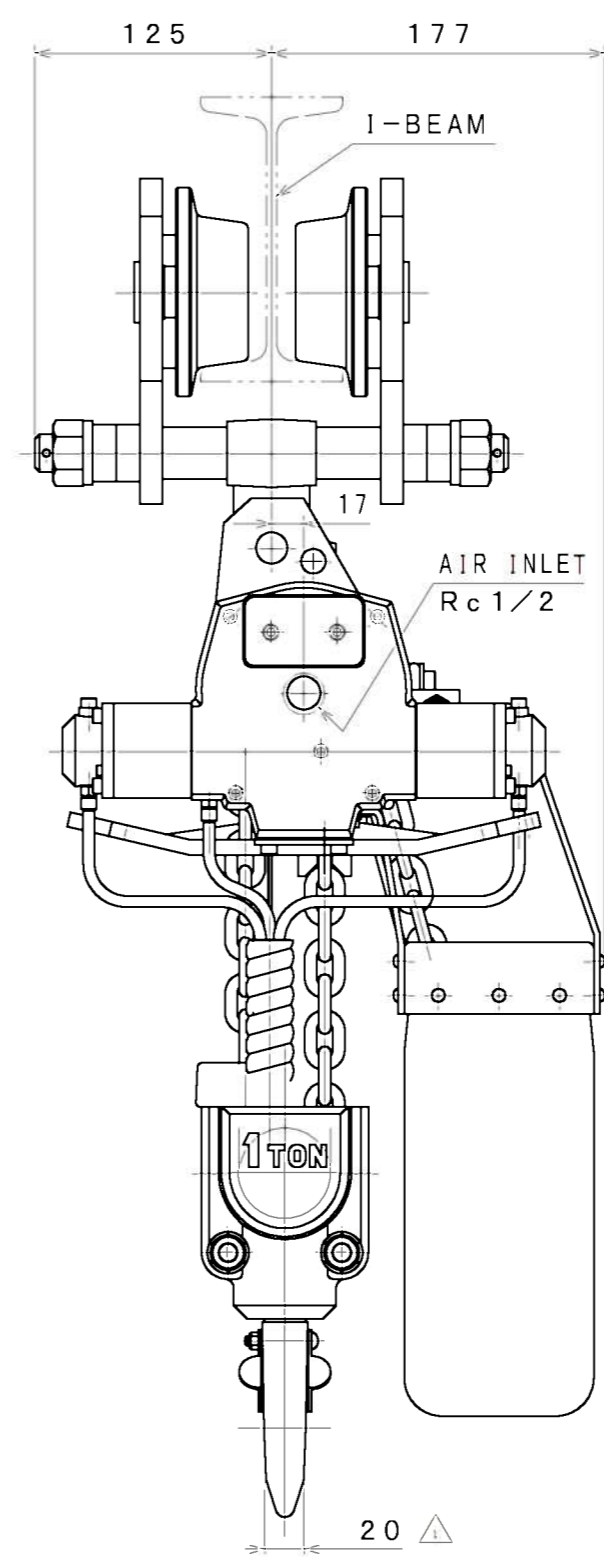
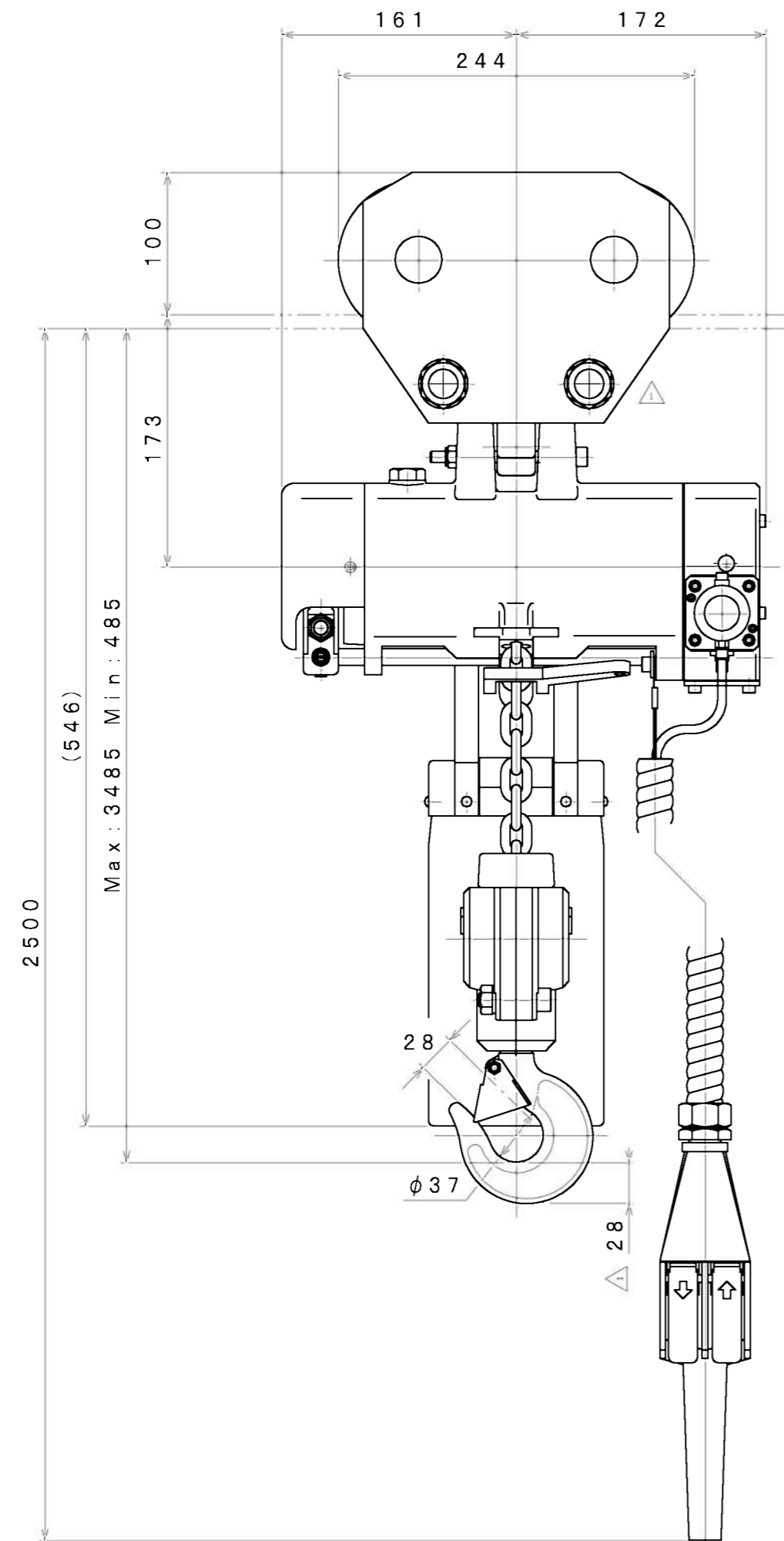


SIGN	REVISION	DATE	B Y
△1	Renewal	110516	R. T
△2	Renewal	150511	A. T



SPECIFICATION

AIR PRESSURE	(MPa)	0.4	0.5	0.6
CAPACITY	(kg)	1000		
LIFTING SPEED	(m/min)	3.5	5.0	6.0
AIR CONSUMPTION (m ³ /min (nor))		1.0	1.3	1.6
LIFT	(m)	3		
MASS	(kg)	about 49		

APPROVED	CHECKED	REVIEWED	DRAWN	PARTICULARS	OUTLINE DRAWING	DATE	Oct. 14, 2005
M. S	K. S		R. T	MODEL	VLX100LP-PR	NOTE	
					AIR HOIST	Z96-066	
SAN-EI SEIKI SEISAKUSHO CO., LTD.					DWG. NO.	E305-180	SCALE 1/4