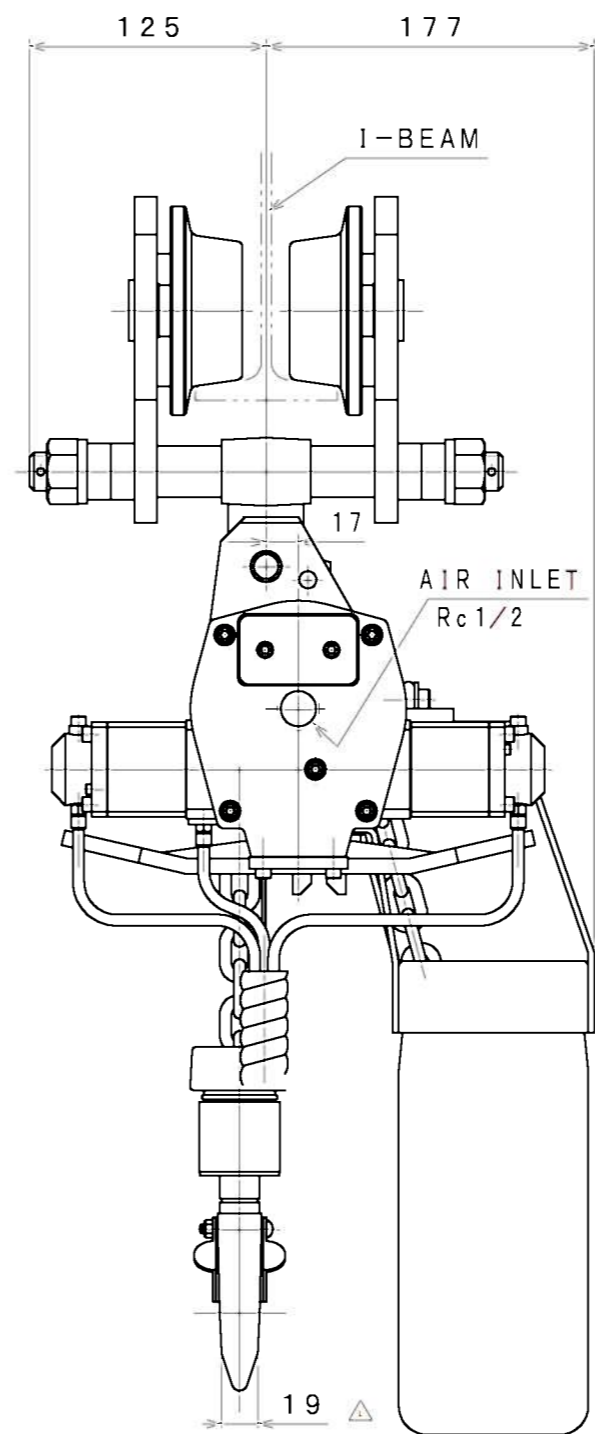
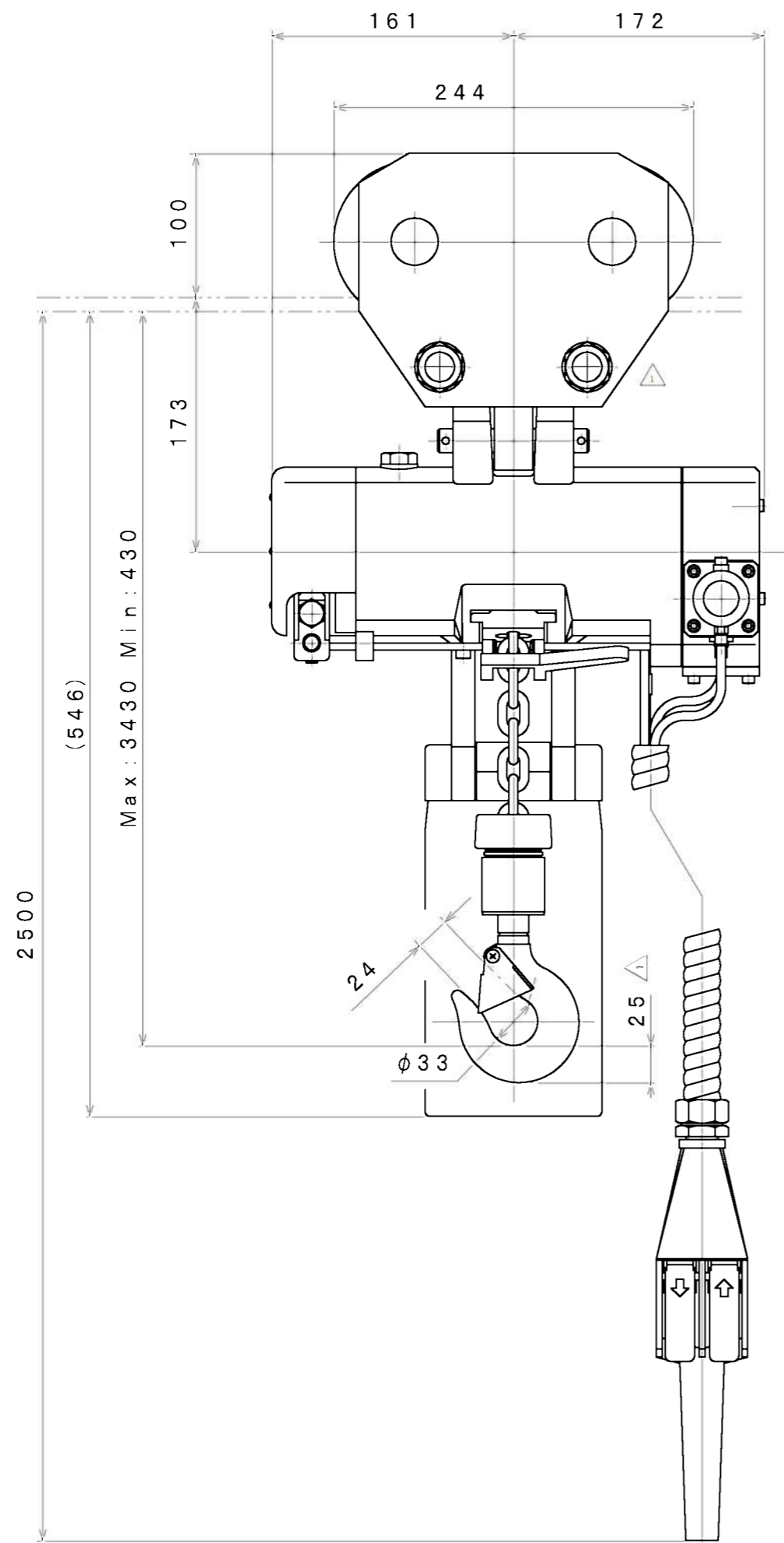


SIGN	REVISION	DATE	B Y
△1	Renewal	110516	R. T
△2	Renewal	150511	A. T



SPECIFICATION

AIR PRESSURE (MPa)	0.4	0.5	0.6
CAPACITY (kg)	500		
LIFTING SPEED (m/min)	7	10	12
△ AIR CONSUMPTION (m ³ /min (nor))	1.0	1.3	1.6
LIFT (m)	3		
MASS (kg)	about 40		

APPROVED	CHECKED	REVIEWED	DRAWN	PARTICULARS	OUTLINE DRAWING	DATE	May. 12. 2005
M. S	K. S		R. T	MODEL	VLX50LP-PR	NOTE	
					AIR HOIST	Z96-057	
SAN-EI SEIKI SEISAKUSHO CO., LTD.					DWG. NO.	E305-075	SCALE 1/4