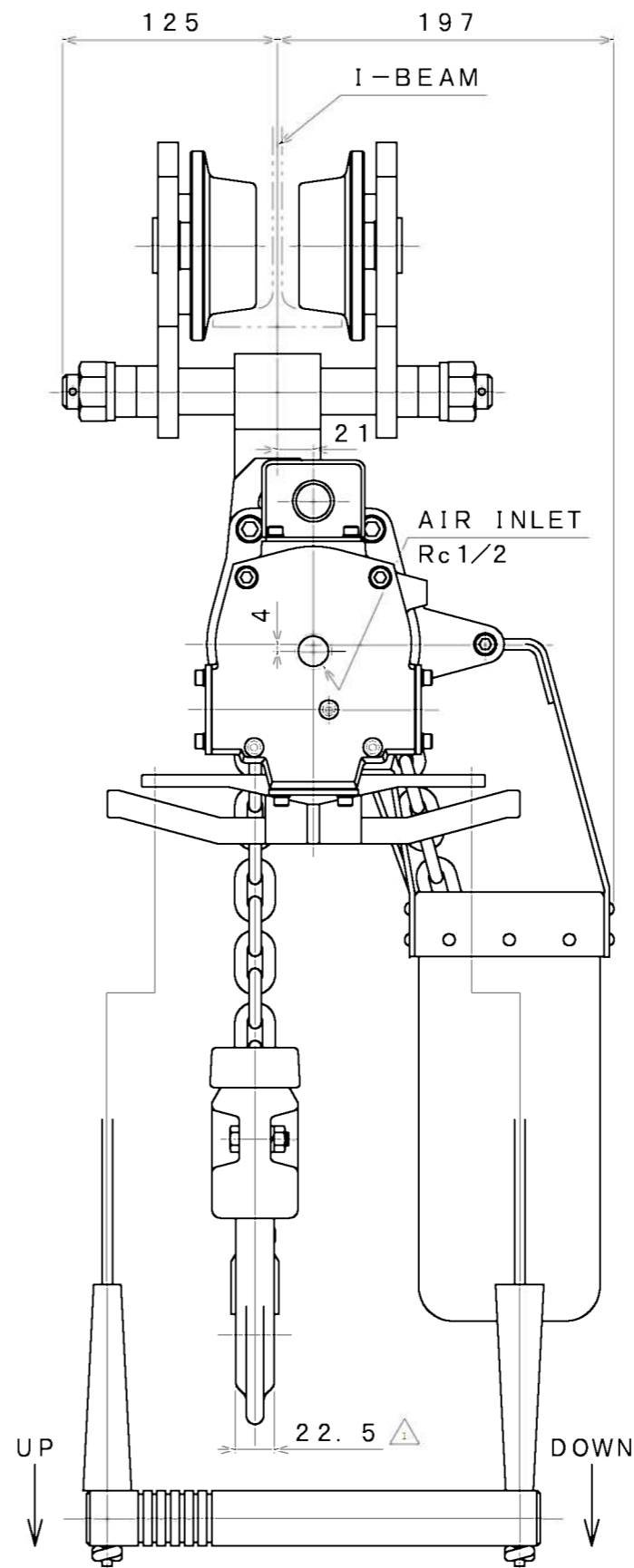
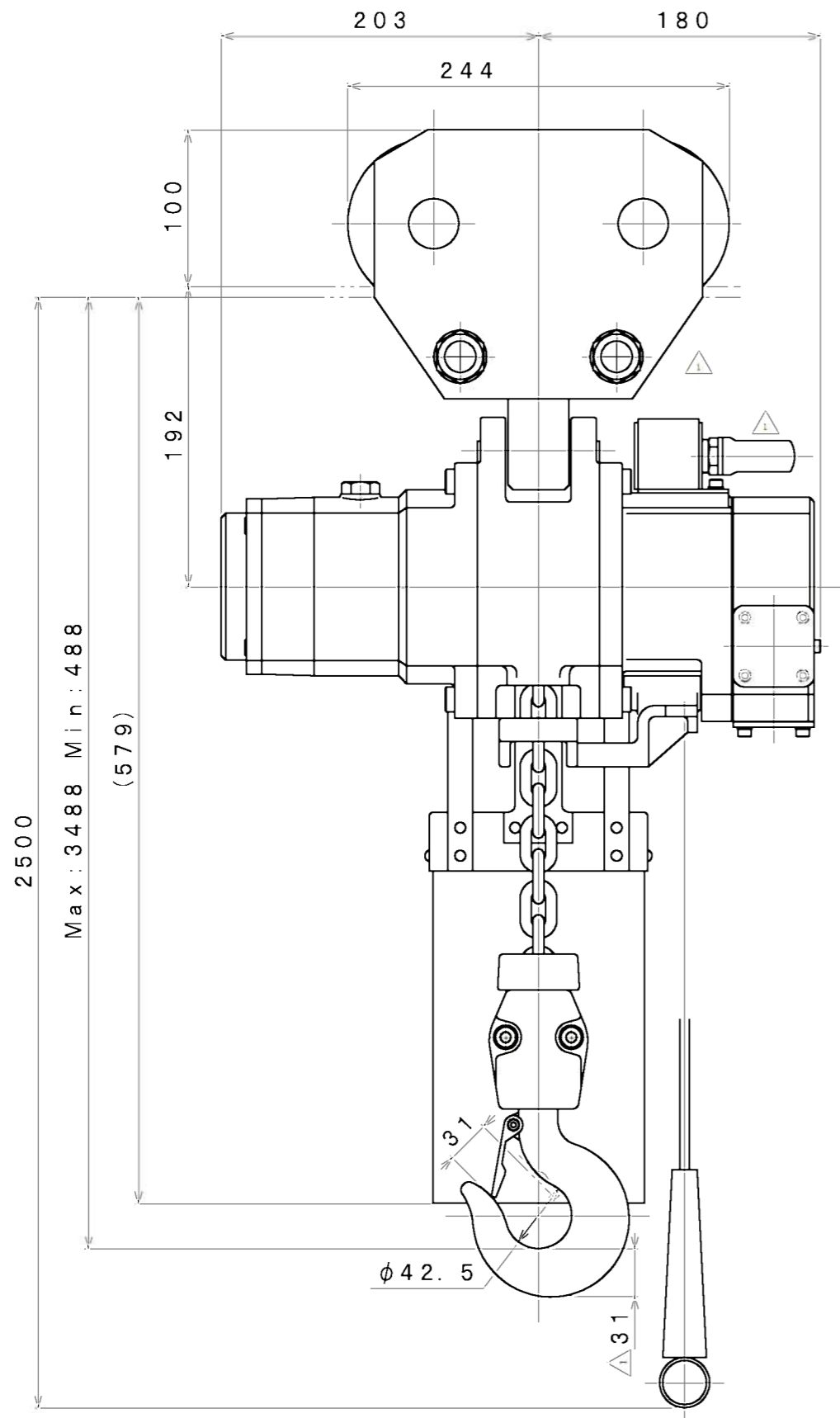


SIGN	REVISION	DATE	B	Y
△	Q-626, Q-661, Renewal	131016	R.	T



I Beam wide size
75
100
125

SPECIFICATION

AIR PRESSURE	(MPa)	0.4	0.5	0.6
CAPACITY	(kg)	1000		
LIFTING SPEED	(m/min)	3.0	4.0	5.0
AIR CONSUMPTION	(m ³ /min (nor))	1.0	1.3	1.6
LIFT	(m)	3		
MASS	(kg)	about 54		

APPROVED	CHECKED	REVIEWED	DRAWN	PARTICULARS	OUTLINE	DATE	SEP. 11. 2001
M. S	K. S		R. T	MODEL	VMX100LC-PR	NOTE	
					AIR HOIST		
SAN-EI SEIKI SEISAKUSHO CO., LTD.					DWG. NO.	E301-200	SCALE 1/4