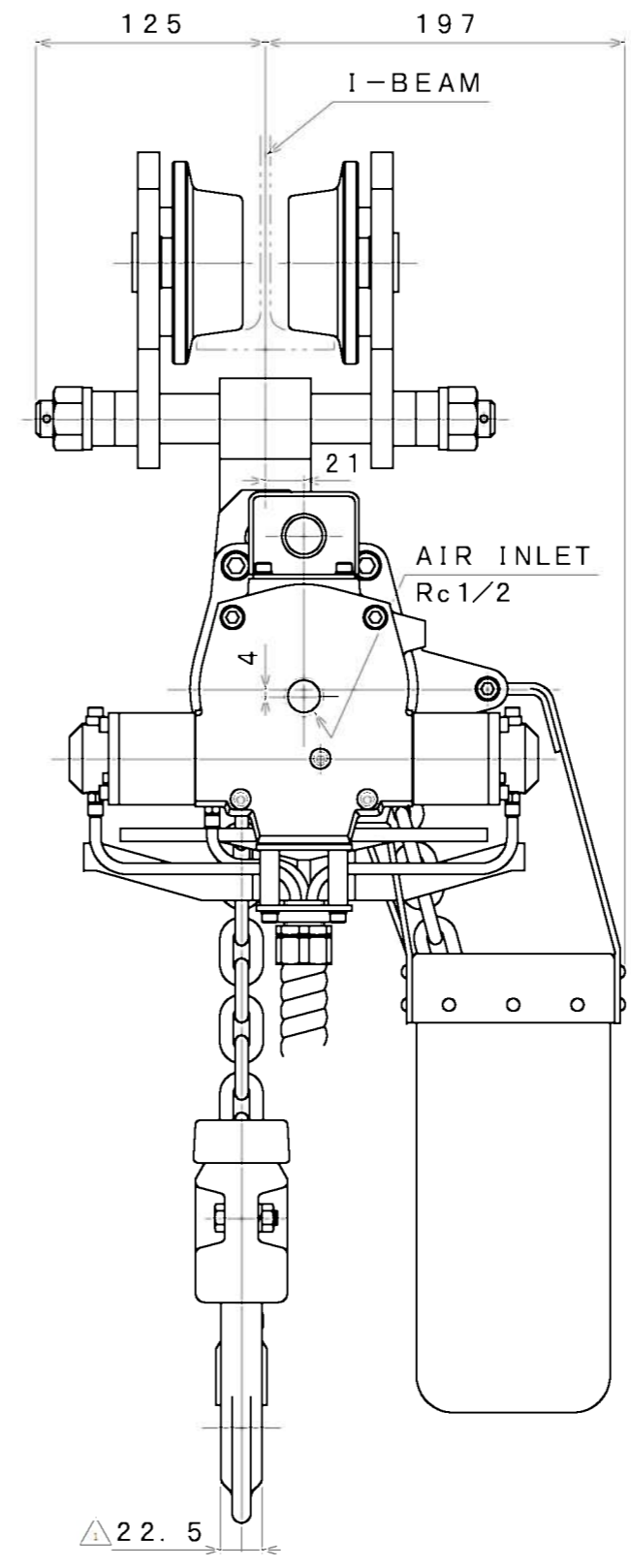
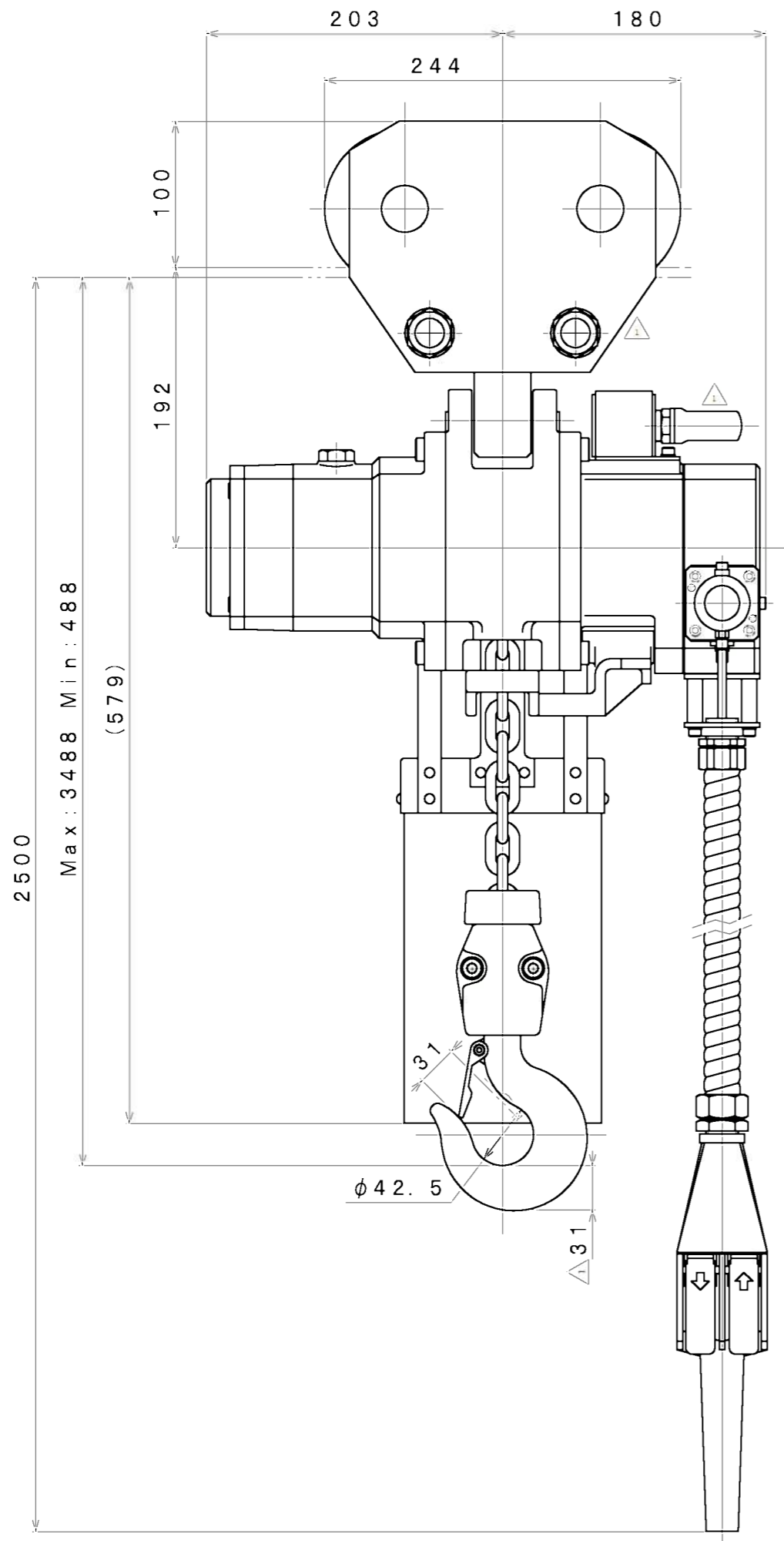


SIGN	REVISION	DATE	BY
△	Q-661, Q-626, Renewal	121009	W. S



I Beam wide size
75
100
125

SPECIFICATION

AIR PRESSURE (MPa)	0.4	0.5	0.6
CAPACITY (kg)	1000		
LIFTING SPEED (m/min)	3.0	4.0	5.0
△ AIR CONSUMPTION (m ³ /min (nor))	1.0	1.3	1.6
LIFT (m)	3		
MASS (kg)	about 56		

APPROVED	CHECKED	REVIEWED	DRAWN	PARTICULARS	OUTLINE	DATE	SEP. 11. 2001
M. S	K. S	R. T	W. S	MODEL	VMX100LP-PR	NOTE	
					AIR HOIST		
SAN-EI SEIKI SEISAKUSHO CO., LTD.					DWG. NO.	E301-196	SCALE 1/4