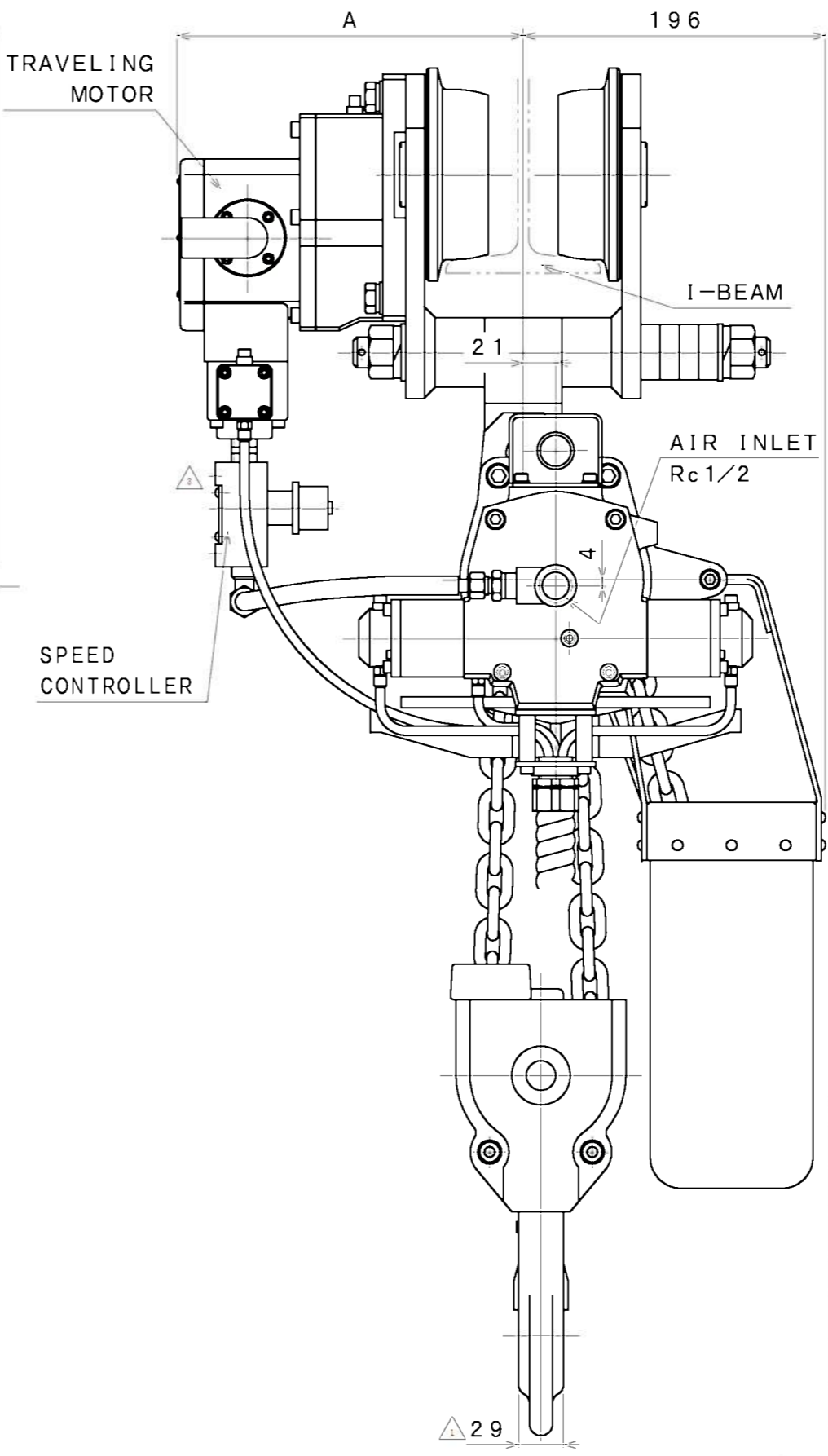
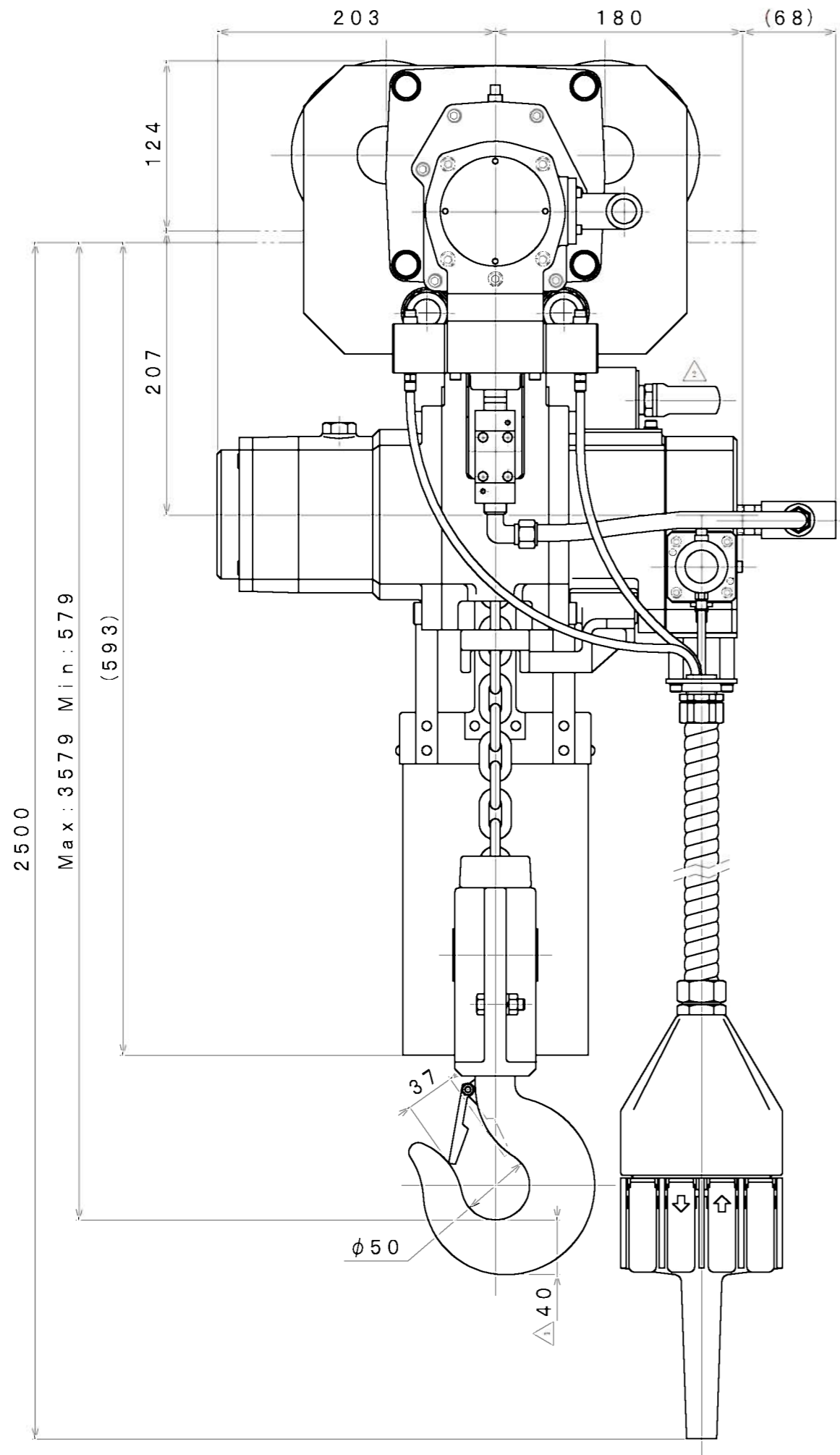


SIGN	REVISION	DATE	B Y
△1	Correction	120829	W. S
△2	Q-661	121009	W. S
△3	Q-676	140618	R. T



I Beam wide size	A
100	224
125	237
150	249

SPECIFICATION

AIR PRESSURE (MPa)	0.4	0.5	0.6
CAPACITY (kg)	2000		
LIFTING SPEED (m/min)	1.5	2.0	2.5
TRAVELING SPEED (m/min)	10~20		
AIR CONSUMPTION Δ(m ³ /min (nor))	1.0	1.3	1.6
LIFT (m)	3		
MASS (kg)	about 73 △3		

APPROVED	CHECKED	REVIEWED	DRAWN	PARTICULARS	OUTLINE	DATE	SEP. 11. 2001
M. S	K. S		R. T	MODEL	VMX200LP-MR	NOTE	
					AIR HOIST		
SAN-EI SEIKI SEISAKUSHO CO., LTD.					DWG. NO.	E301-206	SCALE 1/4