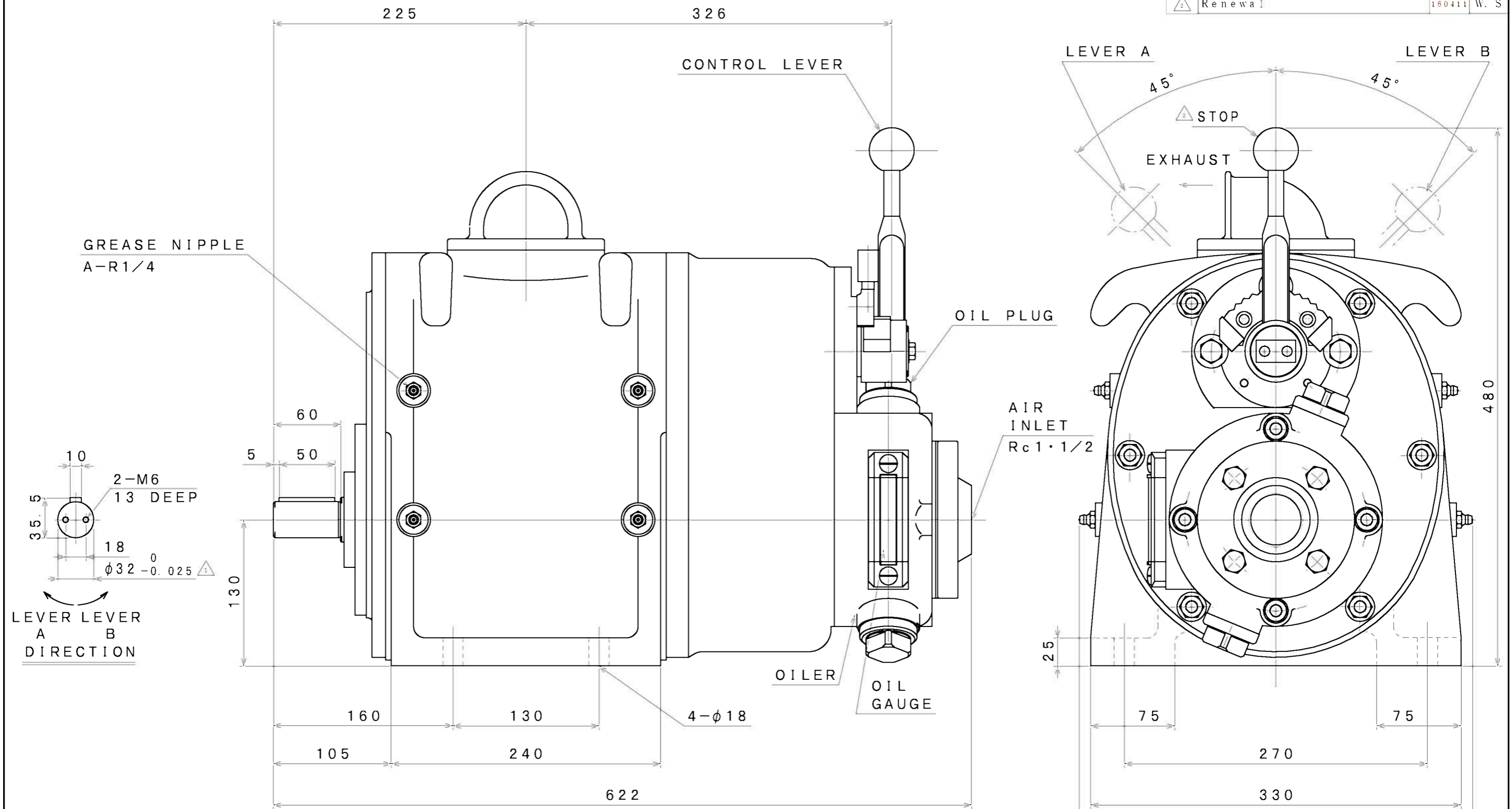


SIGN	REVISION	DATE	B Y
1	Renewal	111107	R. T
2	Renewal	160411	W. S



SPECIFICATION

AIR PRESSURE	AT MAXIMUM OUTPUT				OILER QUANTITY	OIL CONSUMPTION	LUBRICATING OIL		MASS
	OUTPUT	SPEED	TORQUE	AIR CONSUMPTION			OILER	GREASE NIPPLE	
(MPa)	(kW)	(rpm)	(N·m)	(m ³ /min (nor))	(cc)	(cc/hr)	△ JIS K2213-1 Turbine Oil ISO VG32~56	JIS K2220 4-2 Lithium Grease	(kg)
0.6	8.9	1500	57	10.5	1000	120~150			About 160
0.5	7.5		48	8.5					
0.4	6.0		38	6.8					

APPROVED	CHECKED	REVIEWED	DRAWN	PARTICULARS	OUTLINE DRAWING	DATE	NOV. 18. 1997
M. S	K. S		R. T	MODEL	AGM10-HBH1	NOTE	
SAN-EI SEIKI SEISAKUSHO CO., LTD.					AIR MOTOR	Z97-018	
DWG. NO. E397-292					SCALE	2/7	