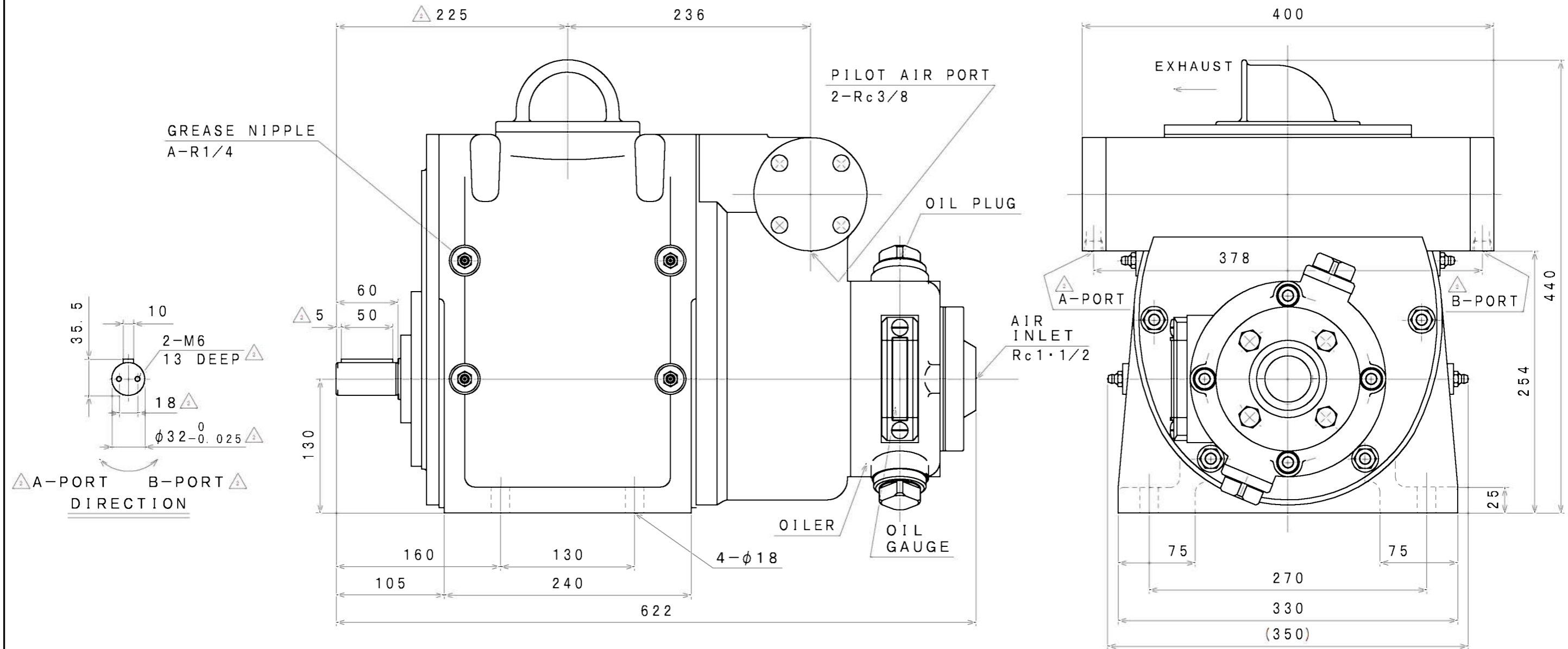


SIGN	REVISION	DATE	B Y
△	Renewal	111107	R. T
△	Renewal	160411	W. S



**SPECIFICATION**

AIR PRESSURE	AT MAXIMUM OUTPUT				OILER QUANTITY	OIL CONSUMPTION	LUBRICATING OIL		MASS
	OUTPUT	SPEED	TORQUE	AIR CONSUMPTION			OILER	GREASE NIPPLE	
(MPa)	(kW)	(rpm)	(N·m)	(m <sup>3</sup> /min (nor))	(cc)	(cc/hr)	OILER	GREASE NIPPLE	(kg)
0.6	8.9	1500	57	10.5	1000	120~150	△ JIS K2213-1	JIS K2220	About 170
0.5	7.5		48	8.5			Turbine Oil	4-2	
0.4	6.0		38	6.8			ISO VG32~56	Lithium Grease	

APPROVED	CHECKED	REVIEWED	DRAWN	PARTICULARS	OUTLINE DRAWING	DATE	FEB. 14. 1997
				MODEL	AGM10-HBR1	NOTE	
					AIR MOTOR	Z97-019	
SAN-EI SEIKI SEISAKUSHO CO., LTD.				DWG. NO.	E397-044	SCALE	1/4