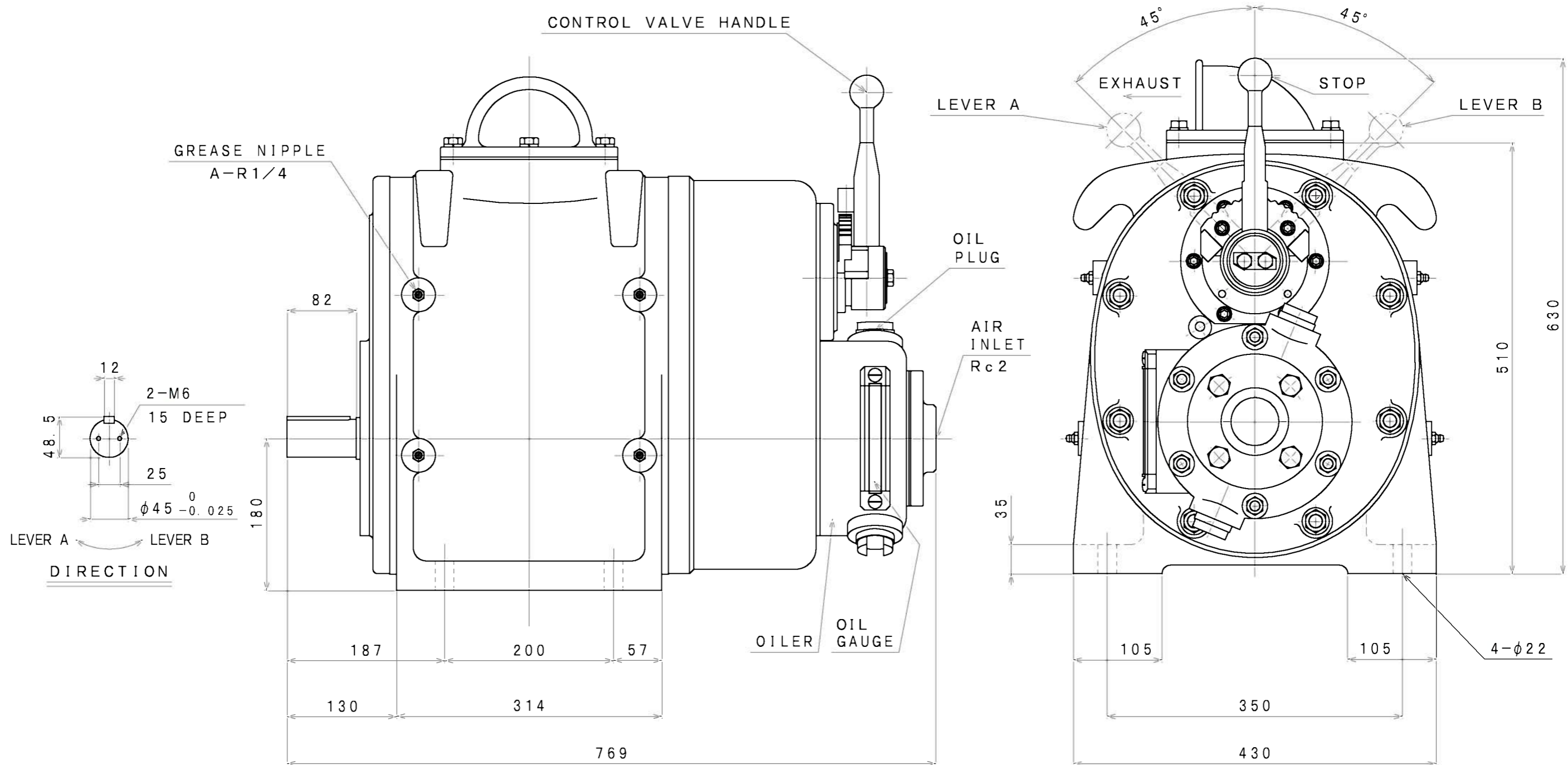


SIGN	REVISION	DATE	B Y
△1	Renewal	111107	R. T
△2	Renewal	150518	A. T



SPECIFICATION

AIR PRESSURE	AT MAXIMUM OUTPUT				OILER QUANTITY	OIL CONSUMPTION	LUBRICATING OIL		MASS
	OUTPUT	SPEED	TORQUE	AIR CONSUMPTION			OILER	GREASE NIPPLE	
(MPa)	(kW)	(rpm)	(N·m)	(m ³ /min (nor))	(cc)	(cc/hr)	OILER	GREASE NIPPLE	(kg)
0.6	22.5	1500	143	25.5	1800	180~230	JIS K2213-1	JIS K2220	About 360
0.5	18.7		119	21.0			Turbine Oil	4-2	
0.4	14.9		95	17.0			ISO VG32~56	Lithium Grease	

APPROVED	CHECKED	REVIEWED	DRAWN	PARTICULARS	OUTLINE DRAWING	DATE	OCT. 03. 1997
M. S	K. S	R. T	A. T	MODEL	AGM23-HBH1	NOTE	
SAN-EI SEIKI SEISAKUSHO CO., LTD.					AIR MOTOR	Z97-022	
DWG. NO. E397-232					SCALE	1/5	