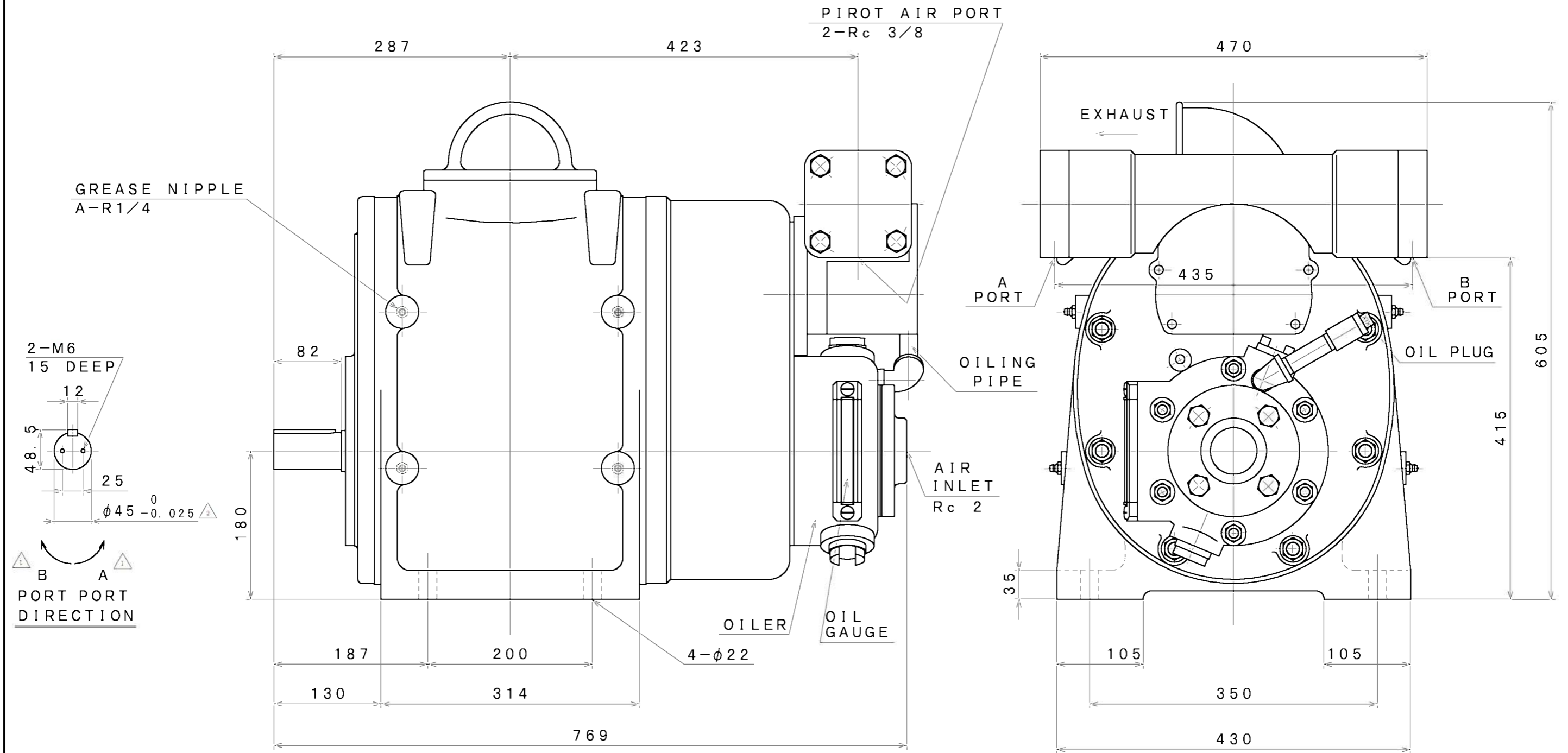


SIGN	REVISION	DATE	B Y
△1	Correct a Direction	950720	M. T
△2	Renewal	111107	R. T
△3	Renewal	150516	A. T



SPECIFICATION

AIR PRESSURE	AT MAXIMUM OUTPUT				OILER QUANTITY	OIL CONSUMPTION	LUBRICATING OIL		MASS
	OUTPUT	SPEED	TORQUE	AIR CONSUMPTION			OILER	GREASE NIPPLE	
(MPa)	(kW)	(rpm)	(N·m)	(m <sup>3</sup> /min (nor))	(cc)	(cc/hr)	JIS K2213-1 Turbine Oil ISO VG32~56	JIS K2220 4-2 Lithium Grease	(kg)
0.6	22.5	1500	143	25.5	1800	180~230			About 370
0.5	18.7		119	21.0					
0.4	14.9		95	17.0					

APPROVED	CHECKED	REVIEWED	DRAWN	PARTICULARS	OUTLINE DRAWING	DATE	NOV. 19. 1997
M. S	K. S		R. T	MODEL	AGM23-HBR1	NOTE	
SAN-EI SEIKI SEISAKUSHO CO., LTD.					AIR MOTOR	Z97-023	
DWG. NO.					E397-304	SCALE	1/5