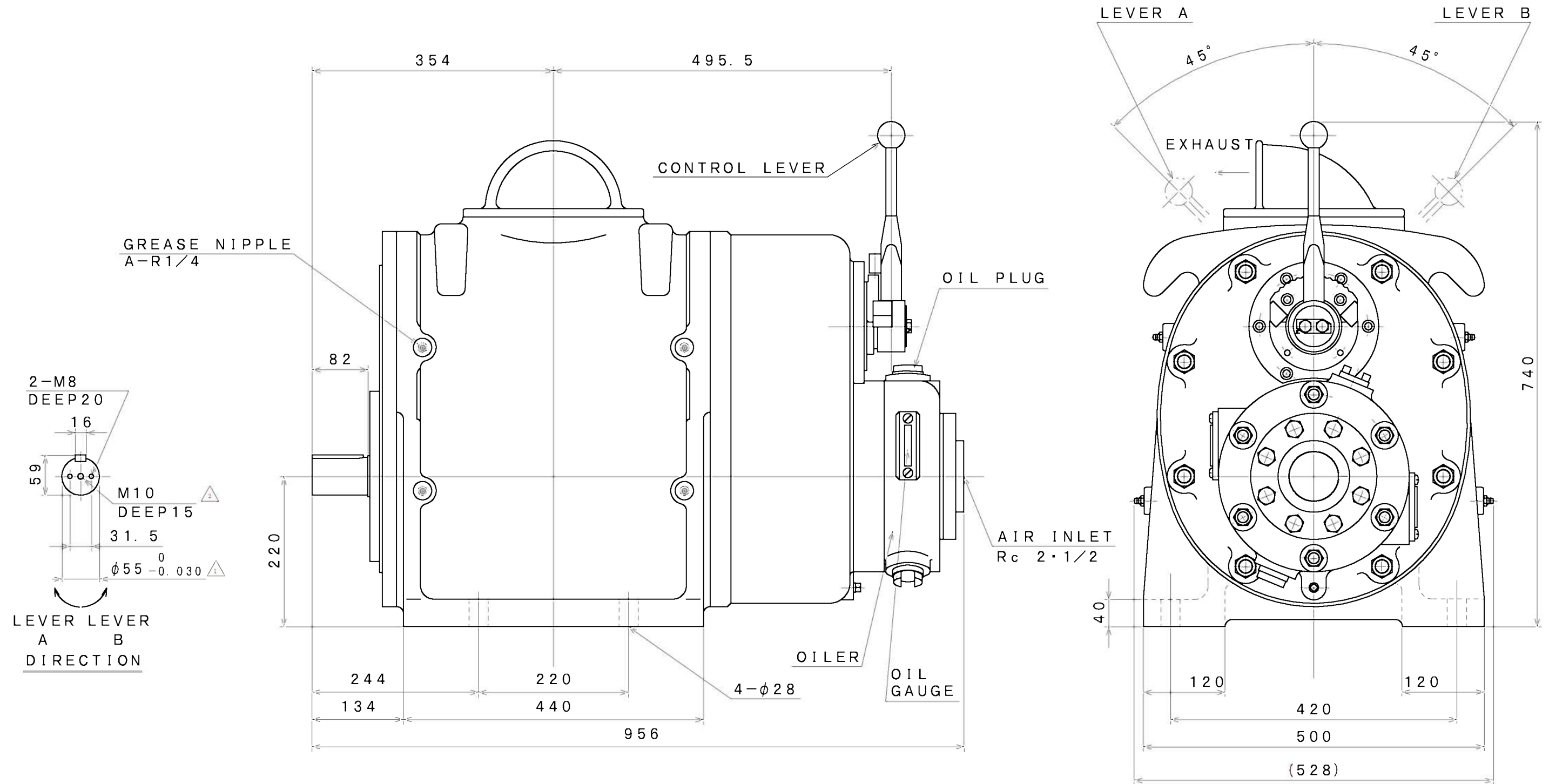


SIGN	REVISION	DATE	B Y
△1	Renewal	111107	R. T
△2	Renewal	140818	R. T



**SPECIFICATION**

AIR PRESSURE	AT MAXIMUM OUTPUT				OILER QUANTITY	OIL CONSUMPTION	LUBRICATING OIL		MASS
	OUTPUT	SPEED	TORQUE	AIR CONSUMPTION			OILER	GREASE NIPPLE	
(MPa)	(kw)	(rpm)	(N·m)	$\Delta_2$ (m <sup>3</sup> /min (nor))	(cc)	(cc/hr)	$\Delta_1$		(kg)
0.6	37.7	1500	240	39	$\Delta_2$	2000	JIS K2213-1	JIS K2220	About 620
0.5	31.4		200	35			Turbine Oil	4-2	
0.4	25.9		165	30			ISO VG32~56	Lithium Grease	

APPROVED	CHECKED	REVIEWED	DRAWN	PARTICULARS	OUTLINE DRAWING	DATE	NOV. 19. 1997
M. S	K. S		R. T	MODEL	AGM40-HBH1	NOTE	
SAN-EI SEIKI SEISAKUSHO CO., LTD.					AIR MOTOR	Z97-024	
DWG. NO. E397-307 $\Delta_2$					SCALE	1/6	