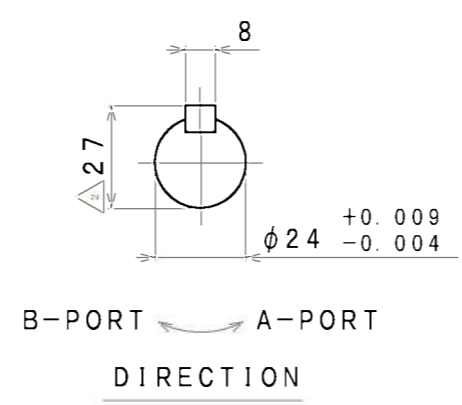
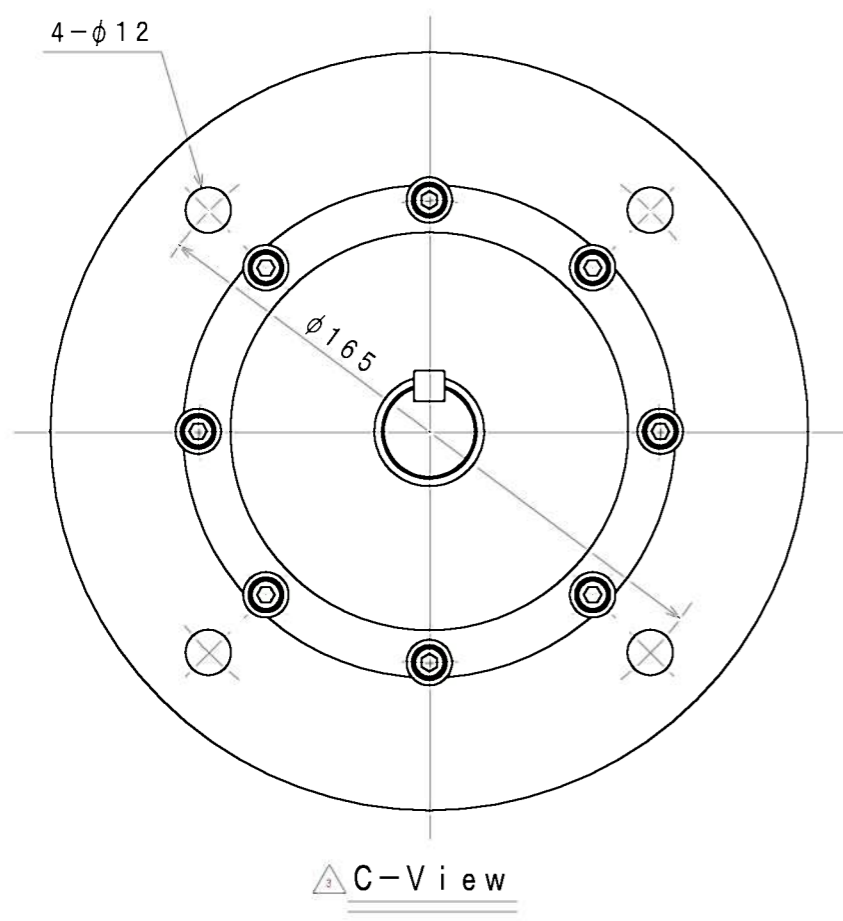
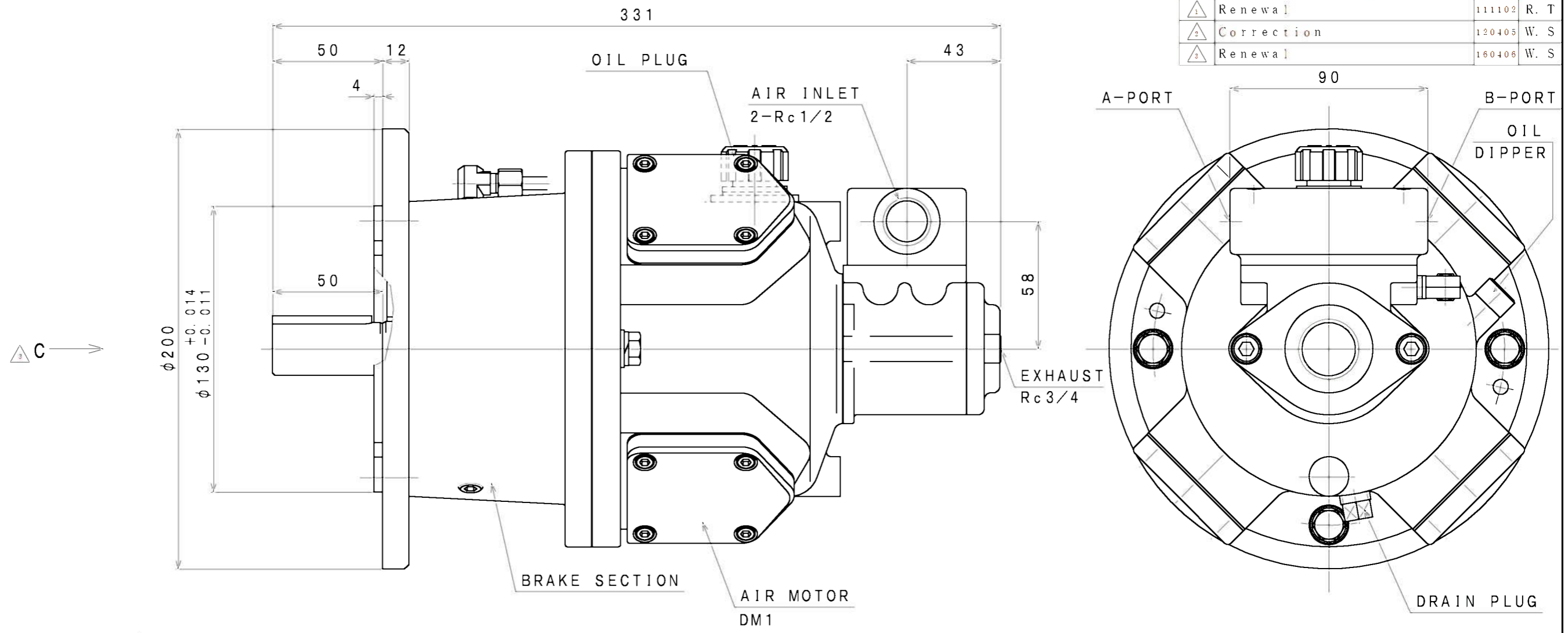


SIGN	REVISION	DATE	BY
1	Renewal	111102	R. T
2	Correction	120405	W. S
3	Renewal	160406	W. S



**SPECIFICATION**

AIR PRESSURE (MPa)	AT MAXIMUM OUTPUT				* ALLOWABLE SHAFT LOAD		LUBRICATING OIL AIR MOTOR JIS K2213-1 Turbine Oil ISO VG32 (140cc)	MASS (kg) about 23
	OUTPUT (kW)	SPEED (rpm)	TORQUE (N·m)	AIR CONSUMPTION (m <sup>3</sup> /min (nor))	RADIAL (kN)	THRUST (kN)		
0.6	0.86	1400	5.9	0.8	0.4	0.15		
0.5	0.64	1300	4.7	0.7				
0.4	0.49	1200	3.9	0.5				

\*: At Mid of Shaft

APPROVED	CHECKED	REVIEWED	DRAWN	PARTICULARS	OUTLINE DRAWING	DATE	DEC. 24. 2009
M. M		W. S		MODEL	DM1B-HFD1 AIR MOTOR	NOTE	Z91-010
SAN-EI SEIKI SEISAKUSHO CO., LTD.				DWG. NO.	E309-206	SCALE	1/2