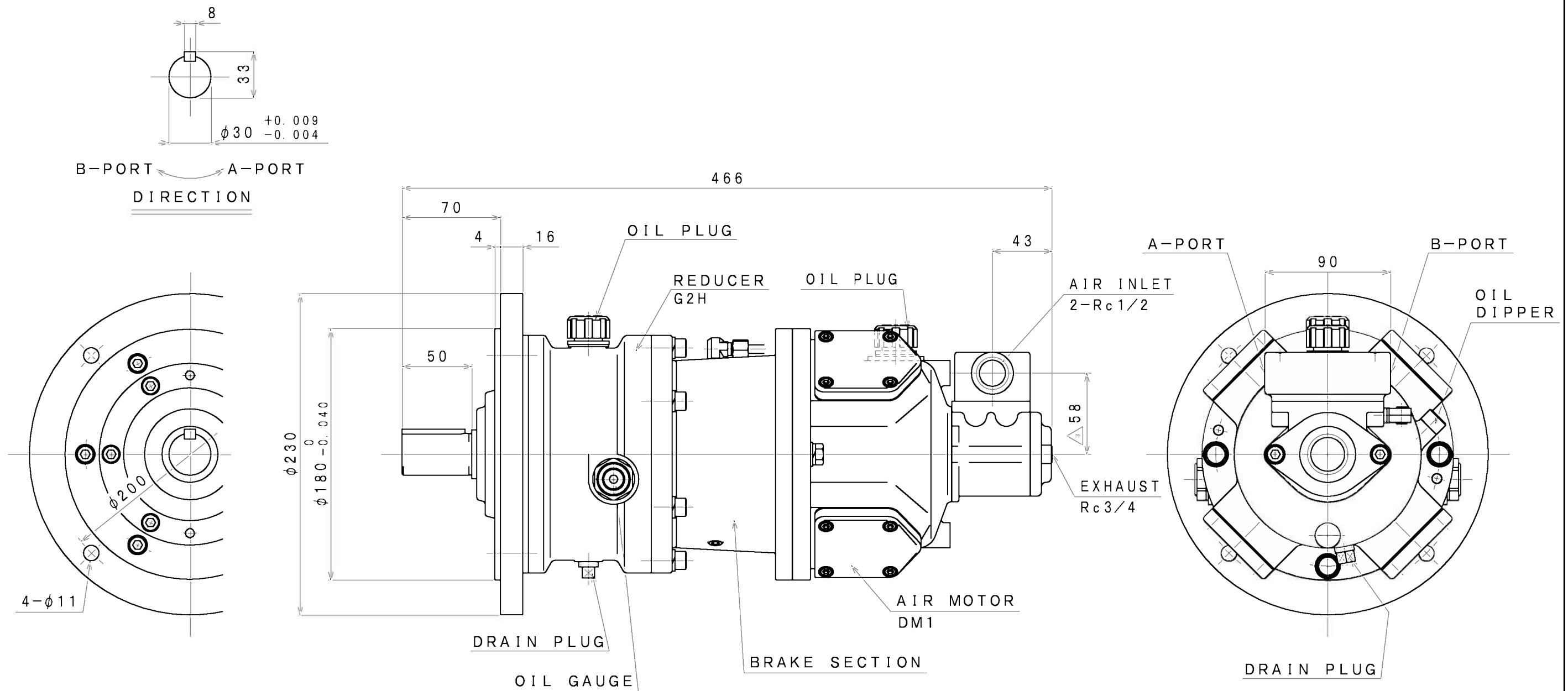


SIGN	REVISION	DATE	B Y
△1	Renewal	111103	R. T
△2	Correction	120323	R. T
△3	Renewal	150406	W. S



SPECIFICATION

AIR PRESSURE	AT MAXIMUM OUTPUT				* ALLOWABLE SHAFT LOAD		LUBRICATING OIL		MASS
	OUTPUT	SPEED	TORQUE	AIR CONSUMPTION	RADIAL	THRUST	AIR MOTOR	REDUCER	
(MPa)	(kW)	(rpm)	(N·m)	(m ³ /min (nor))	(kN)	(kN)	JIS K2213-1 Turbine Oil	JIS K2219 Gear Oil	(kg)
0.6	0.75	250	28.6	0.86	2.3	0.4	ISO VG32 (140cc)	ISO VG220 (130cc)	about 33
0.5	0.56	230	23.3	0.73					
0.4	0.43	210	19.8	0.53					

*:At Mid of Shaft

APPROVED	CHECKED	REVIEWED	DRAWN	PARTICULARS	OUTLINE DRAWING	DATE	JAN. 08. 2010
M. M		W. S		MODEL	DM1BG2H6F	NOTE	
SAN-EI				SEIKI SEISAKUSHO CO., LTD.	AIR MOTOR	Z95-011	
DWG. NO. E310-009					SCALE	1/3	