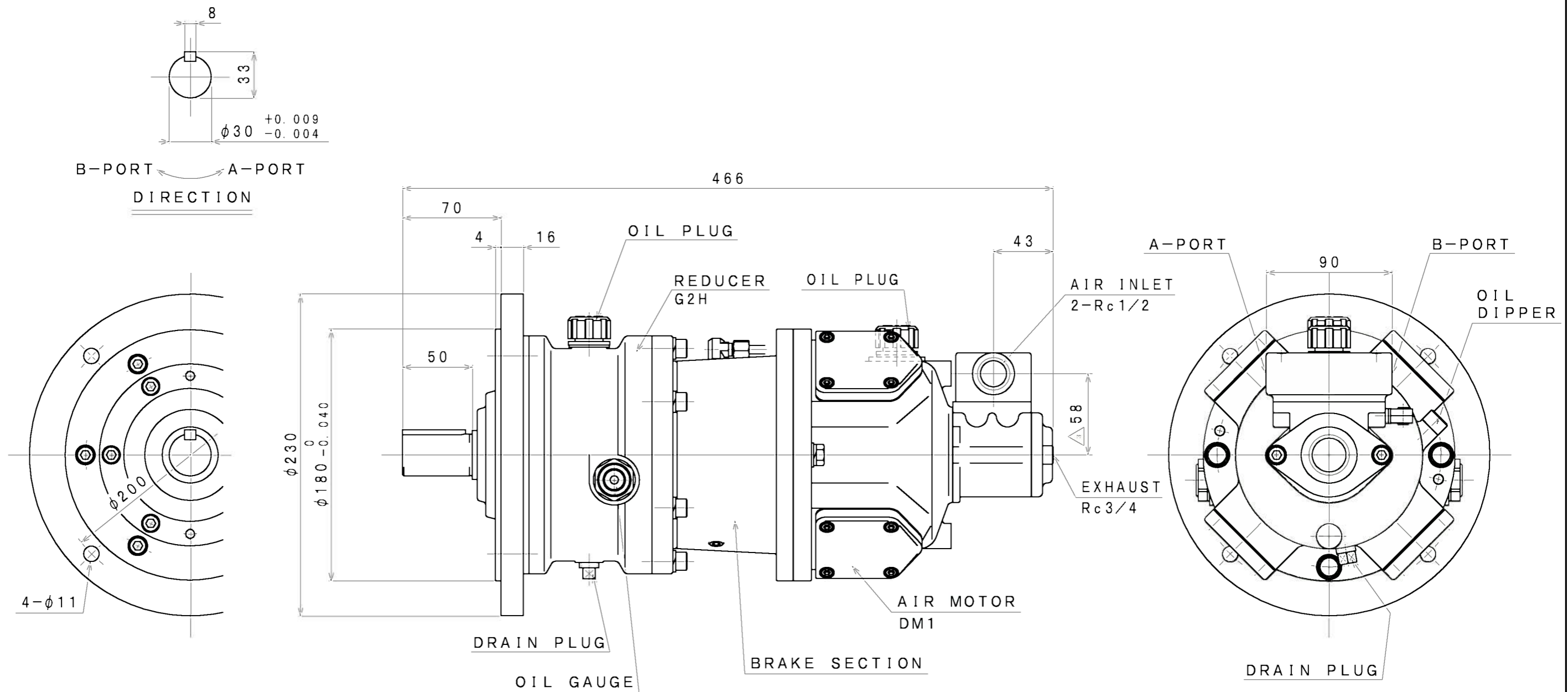


SIGN	REVISION	DATE	BY
1	Renewal	111103	R. T
2	Correction	120222	R. T
3	Renewal	150406	W. S



**SPECIFICATION**

AIR PRESSURE	AT MAXIMUM OUTPUT				* ALLOWABLE SHAFT LOAD		LUBRICATING OIL		MASS
	OUTPUT	SPEED	TORQUE	AIR CONSUMPTION $\Delta$	RADIAL	THRUST	AIR MOTOR	REDUCER	
(MPa)	(kW)	(rpm)	(N·m)	(m <sup>3</sup> /min (nor))	(kN)	(kN)	$\Delta$ JIS K2213-1 Turbine Oil	JIS K2219 Gear Oil	(kg)
0.6	0.75	180	40.0	0.86	2.6	0.4	ISO VG32 (140cc)	ISO VG220 (130cc)	$\Delta$ about 33
0.5	0.56	160	33.6	0.73					
0.4	0.43	150	27.7	0.53					

\*:At Mid of Shaft

APPROVED	CHECKED	REVIEWED	DRAWN	PARTICULARS	OUTLINE DRAWING	DATE	JAN. 08. 2010
M. M		W. S		MODEL	DM1BG2H8F	NOTE	
SAN-EI				SEIKI SEISAKUSHO CO., LTD.	DWG. NO.	E310-011	SCALE 1/3
						Z95-011	