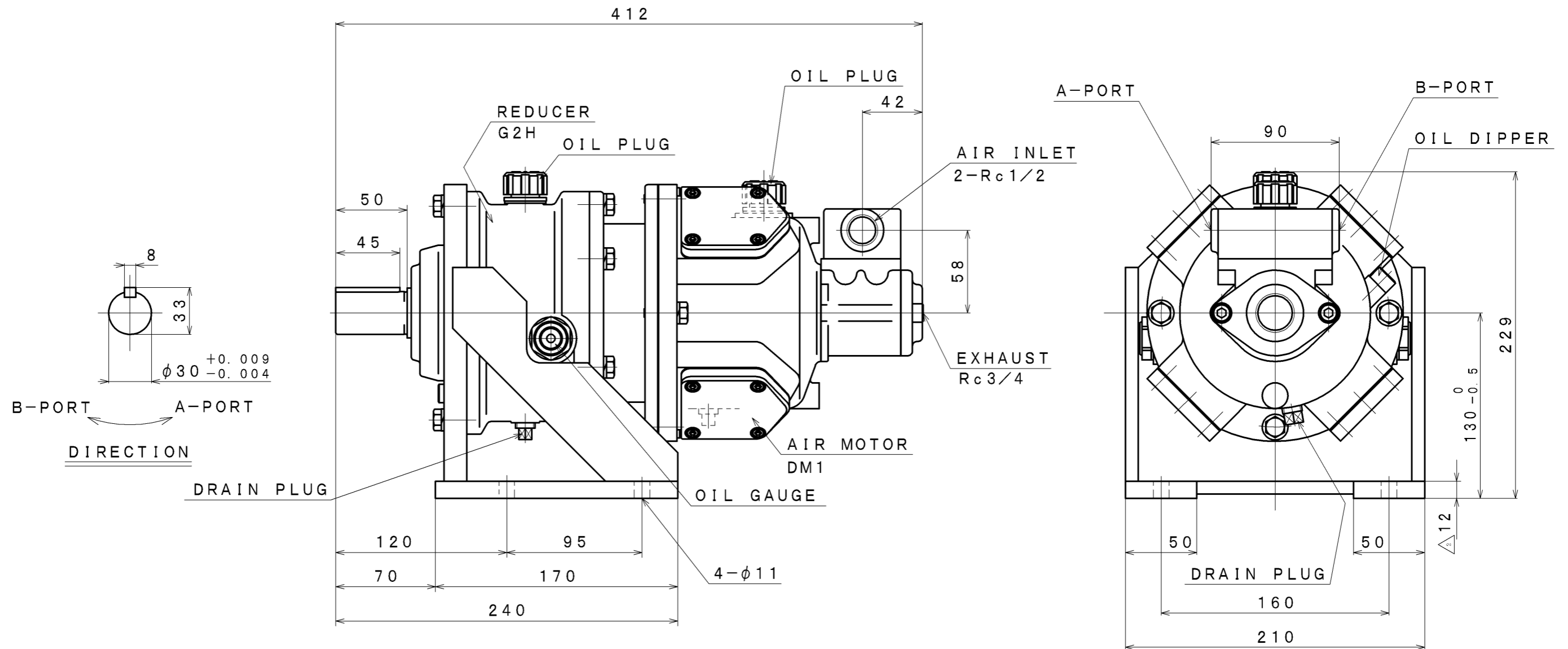


SIGN	REVISION	DATE	BY
△1	Renewal	111101	R. T
△2	Renewal	160406	W. S



SPECIFICATION

AIR PRESSURE (MPa)	AT MAXIMUM OUTPUT				* ALLOWABLE SHAFT LOAD		LUBRICATING OIL		MASS (kg)
	OUTPUT (kW)	SPEED (rpm)	TORQUE (N·m)	AIR CONSUMPTION (m ³ /min (nor))	RADIAL (kN)	THRUST (kN)	AIR MOTOR	REDUCER	
0.6	0.75	400	17.9	0.86	2.0	0.4	△1 JIS K2213-1 Turbine Oil	JIS K2219 Gear Oil	about 28
0.5	0.56	370	14.5	0.73			ISO VG32 (140cc)	ISO VG220 (130cc)	
0.4	0.43	340	12.2	0.53			△2		

*:At Mid of Shaft

APPROVED	CHECKED	REVIEWED	DRAWN	PARTICULARS	OUTLINE DRAWING	DATE	JAN. 18. 2010
M. M		W. S		MODEL	DM1G2H4B	NOTE	
					AIR MOTOR	Z97-010	
SAN-EI SEIKI SEISAKUSHO CO., LTD.					DWG. NO.	E310-055	SCALE 1/3