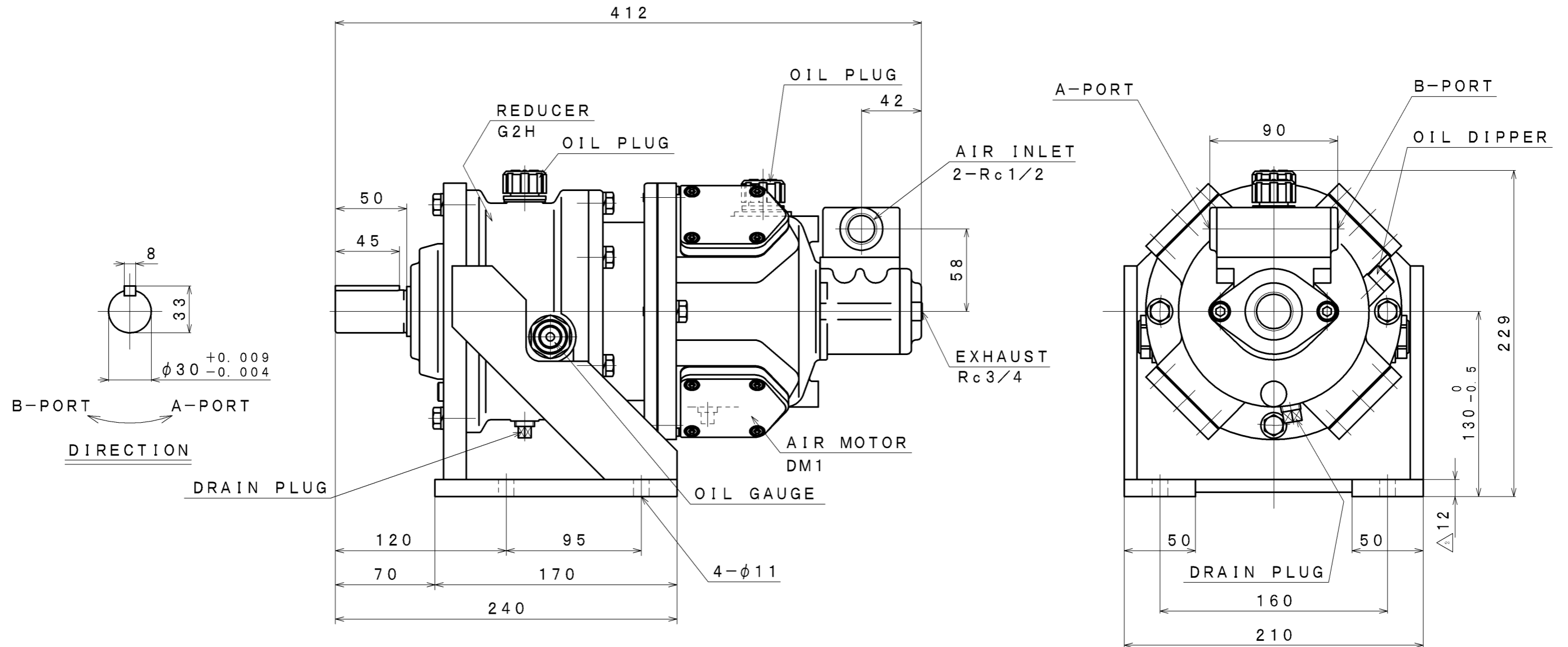


SIGN	REVISION	DATE	BY
△1	Renewal	111101	R. T
△2	Renewal	160406	W. S



SPECIFICATION

AIR PRESSURE	AT MAXIMUM OUTPUT				* ALLOWABLE SHAFT LOAD		LUBRICATING OIL		MASS
	OUTPUT	SPEED	TORQUE	AIR CONSUMPTION	RADIAL	THRUST	AIR MOTOR	REDUCER	
(MPa)	(kW)	(rpm)	(N·m)	(m ³ /min (nor))	(kN)	(kN)	△1 JIS K2213-1 Turbine Oil	JIS K2219 Gear Oil	about 28
0.6	0.75	180	40.0	0.86	2.6	0.4	ISO VG32 (140cc)	ISO VG220 (130cc)	
0.5	0.56	160	33.6	0.73			△2		
0.4	0.43	150	27.7	0.53					

*:At Mid of Shaft

APPROVED	CHECKED	REVIEWED	DRAWN	PARTICULARS	OUTLINE DRAWING	DATE	JAN. 18. 2010
M. M		W. S		MODEL	DM1G2H8B	NOTE	
					AIR MOTOR	Z97-010	
SAN-EI SEIKI SEISAKUSHO CO., LTD.					DWG. NO.	E310-057	SCALE 1/3