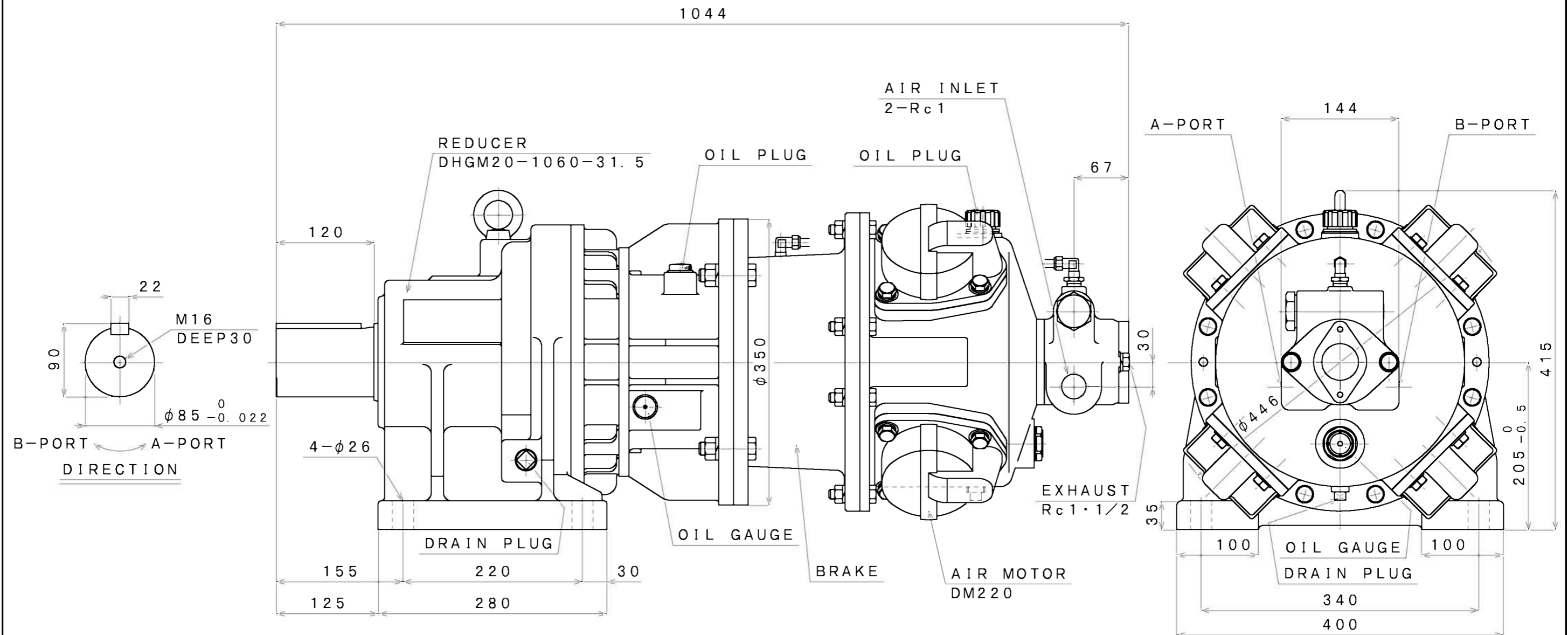


SIGN	REVISION	DATE	BY
1	Renewal	111102	R. T
2	Renewal	160407	W. S



**SPECIFICATION**

AIR PRESSURE (MPa)	AT MAXIMUM OUTPUT				* ALLOWABLE SHAFT LOAD		LUBRICATING OIL		MASS (kg)
	OUTPUT (kW)	SPEED (rpm)	TORQUE (N·m)	AIR CONSUMPTION (m <sup>3</sup> /min (nor))	RADIAL (kN)	THRUST (kN)	AIR MOTOR	REDUCER	
0.6	6.94	23	2882	5.4	24.4	-	JIS K2213-1 Turbine Oil	JIS K2219 Gear Oil	about 256
0.5	5.69	21	2590	4.8			ISO VG32 (850cc)	ISO VG220 (2200cc)	
0.4	4.75	20	2270	4.1					

\*:At Mid of Shaft

APPROVED	CHECKED	REVIEWED	DRAWN	PARTICULARS	OUTLINE DRAWING	DATE	NOTE
M. M	M. S	K. S	W. S	MODEL	DM220B-G-1060-31.5	OCT. 12. 2010	
SAN-EI SEIKI SEISAKUSHO CO., LTD.					DWG. NO.	E310-605	SCALE 1/5