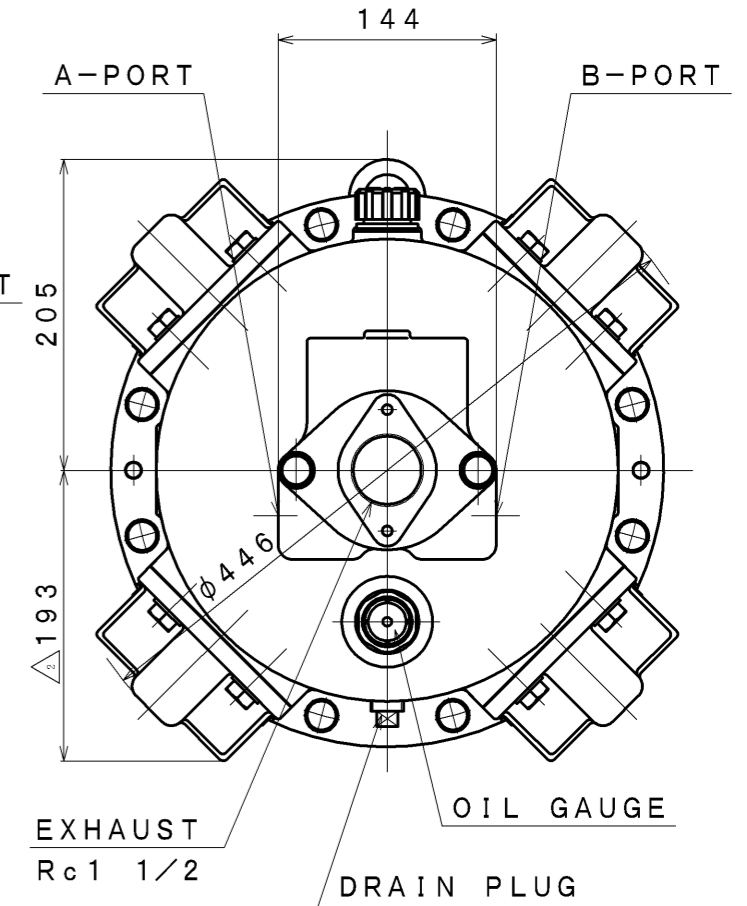
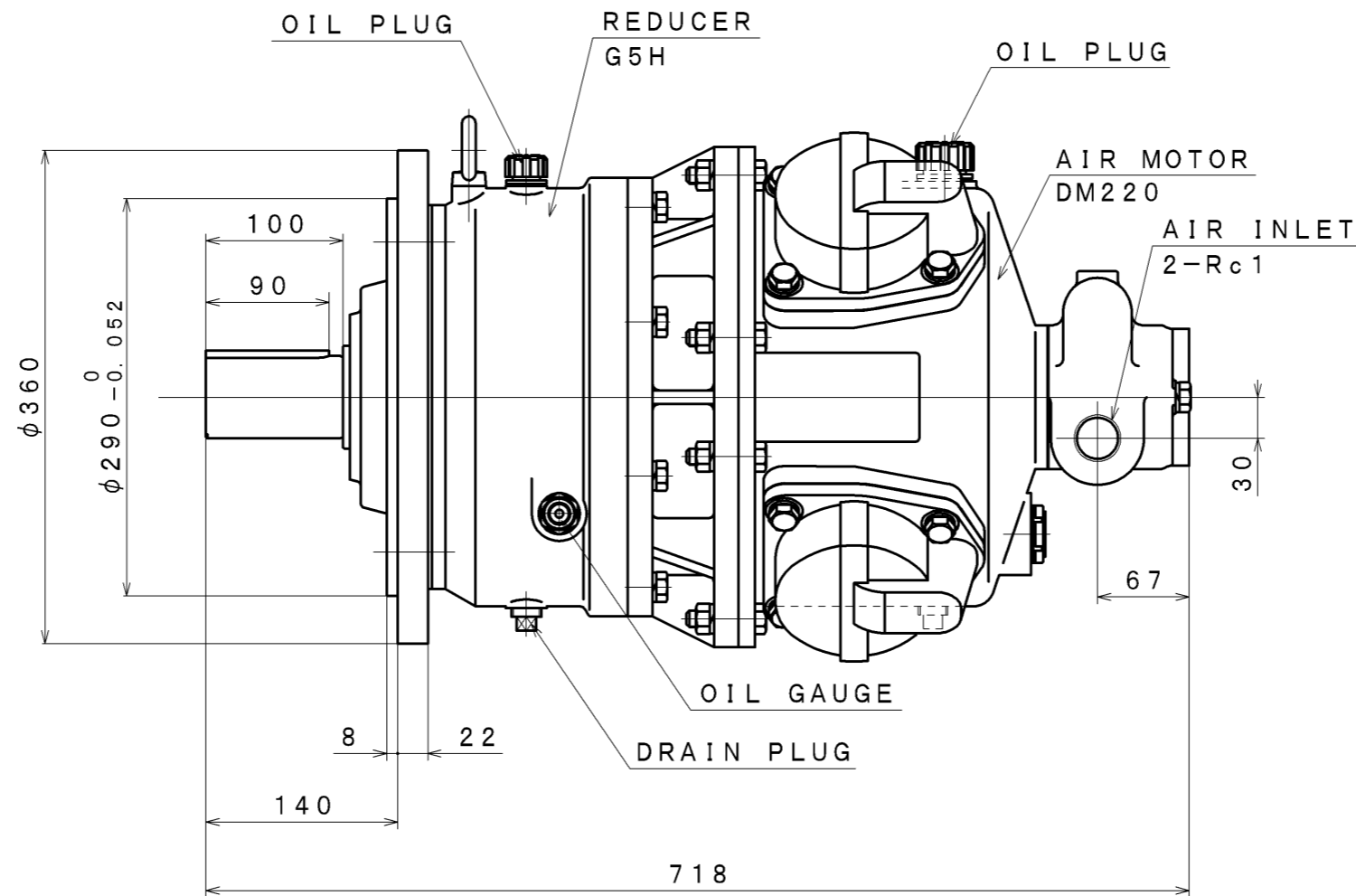
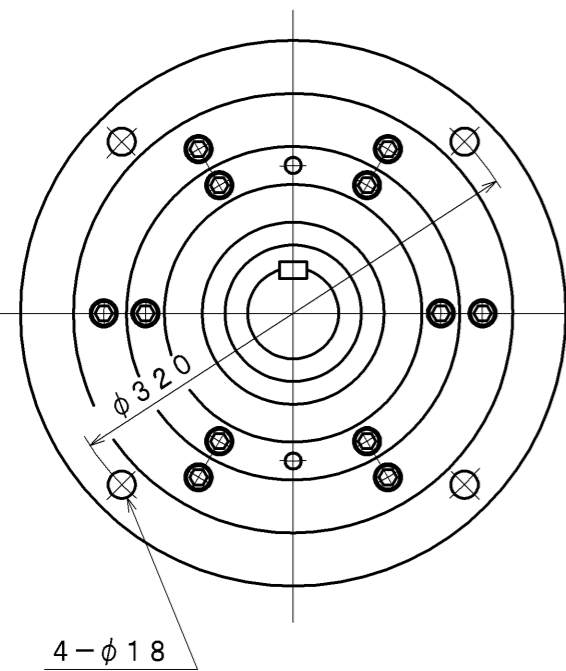
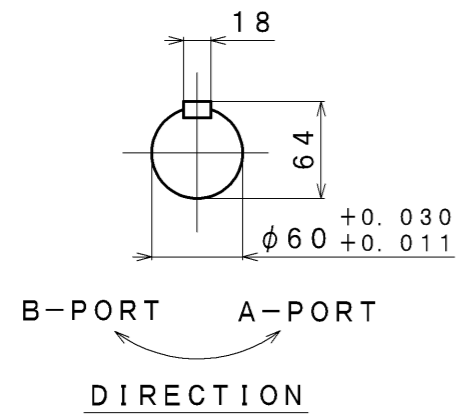


| SIGN | REVISION | DATE | BY |
|------|---------------------|--------|------|
| △1 | Renewal | 111101 | R. T |
| △2 | Renewal, Correction | 160406 | W. S |



SPECIFICATION

| AIR PRESSURE (MPa) | AT MAXIMUM OUTPUT | | | | ※ ALLOWABLE SHAFT LOAD | | LUBRICATING OIL | | MASS (kg) |
|-----------------------|-------------------|----------------|-----------------|--|------------------------|----------------|------------------------------|-----------------------|--------------|
| | OUTPUT (kW) | SPEED (rpm) | TORQUE (N·m) | AIR CONSUMPTION (m ³ /min (nor)) | RADIAL (kN) | THRUST (kN) | AIR MOTOR | REDUCER | |
| 0.6 | 6.75 | 125 | 516 | 5.4 | 7.3 | 1.4 | △ JIS K2213-1 Turbine Oil | JIS K2219 Gear Oil | about 181 |
| 0.5 | △5.33 | 110 | △463 | 4.8 | | | ISO VG32 (850cc) | ISO VG220 (600cc) | |
| 0.4 | △4.24 | 100 | △405 | 4.1 | | | | | |

※: At Mid of Shaft

| APPROVED | CHECKED | REVIEWED | DRAWN | PARTICULARS | OUTLINE DRAWING | DATE | JAN. 22. 2010 |
|-----------------------------------|---------|----------|-------|-------------|-----------------|----------|---------------|
| M. M | | W. S | | MODEL | DM220G5H6F | NOTE | |
| | | | | | AIR MOTOR | Z00-014 | |
| SAN-EI SEIKI SEISAKUSHO CO., LTD. | | | | | DWG. NO. | E310-059 | SCALE 1/5 |