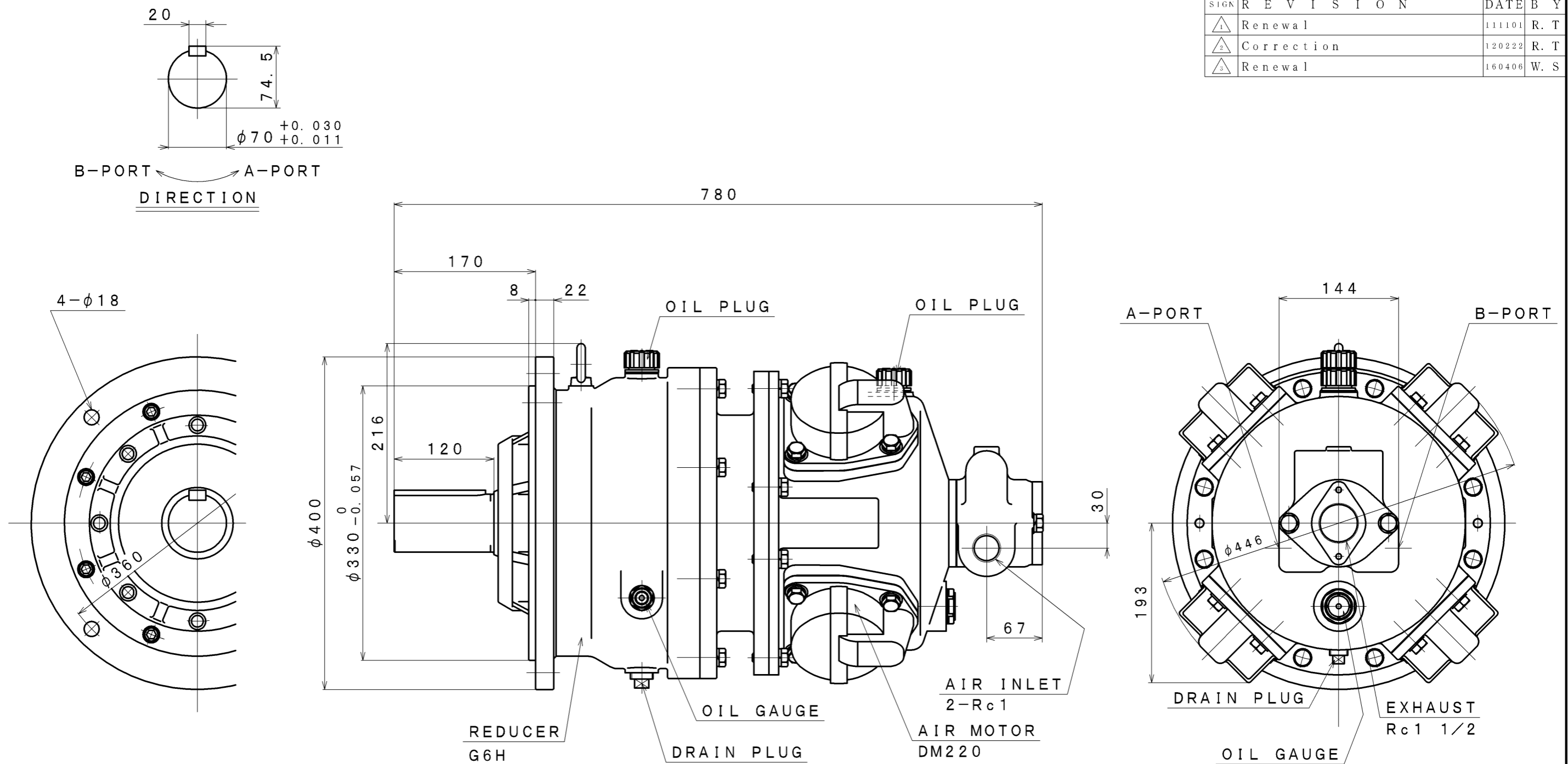


| SIGN | REVISION   | DATE   | B Y  |
|------|------------|--------|------|
| △1   | Renewal    | 111101 | R. T |
| △2   | Correction | 120222 | R. T |
| △3   | Renewal    | 160406 | W. S |



**SPECIFICATION**

| AIR PRESSURE | AT MAXIMUM OUTPUT |       |        |                             | * ALLOWABLE SHAFT LOAD |        | LUBRICATING OIL                  |                       | MASS               |
|--------------|-------------------|-------|--------|-----------------------------|------------------------|--------|----------------------------------|-----------------------|--------------------|
|              | OUTPUT            | SPEED | TORQUE | AIR CONSUMPTION             | RADIAL                 | THRUST | AIR MOTOR                        | REDUCER               |                    |
| (MPa)        | (kW)              | (rpm) | (N·m)  | (m <sup>3</sup> /min (nor)) | (kN)                   | (kN)   | △1<br>JIS K2213-1<br>Turbine Oil | JIS K2219<br>Gear Oil | (kg)               |
| 0.6          | 6.68              | 90    | 709    | 5.4                         | 16.5                   | 3.0    | ISO VG32<br>(850cc)              | ISO VG220<br>(1200cc) | △2<br>about<br>253 |
| 0.5          | 5.60              | 84    | 637    | 4.8                         |                        |        |                                  |                       |                    |
| 0.4          | 4.57              | 78    | 559    | 4.1                         |                        |        |                                  |                       |                    |

\*: At Mid of Shaft

| APPROVED                          | CHECKED | REVIEWED | DRAWN | PARTICULARS | OUTLINE DRAWING | DATE     | APR. 28. 2011 |
|-----------------------------------|---------|----------|-------|-------------|-----------------|----------|---------------|
| M. S                              | K. S    | R. T     | W. S  | MODEL       | DM220G6H8F      | NOTE     |               |
| SAN-EI SEIKI SEISAKUSHO CO., LTD. |         |          |       |             | DWG. NO.        | E311-246 | SCALE 1/5     |