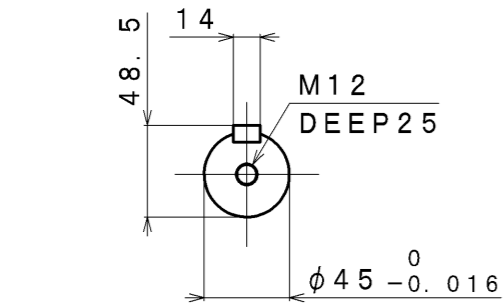
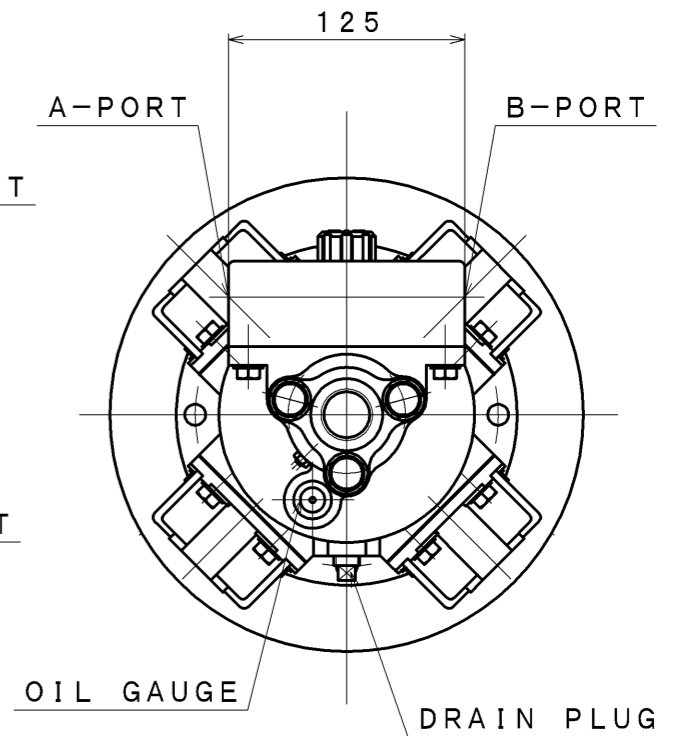
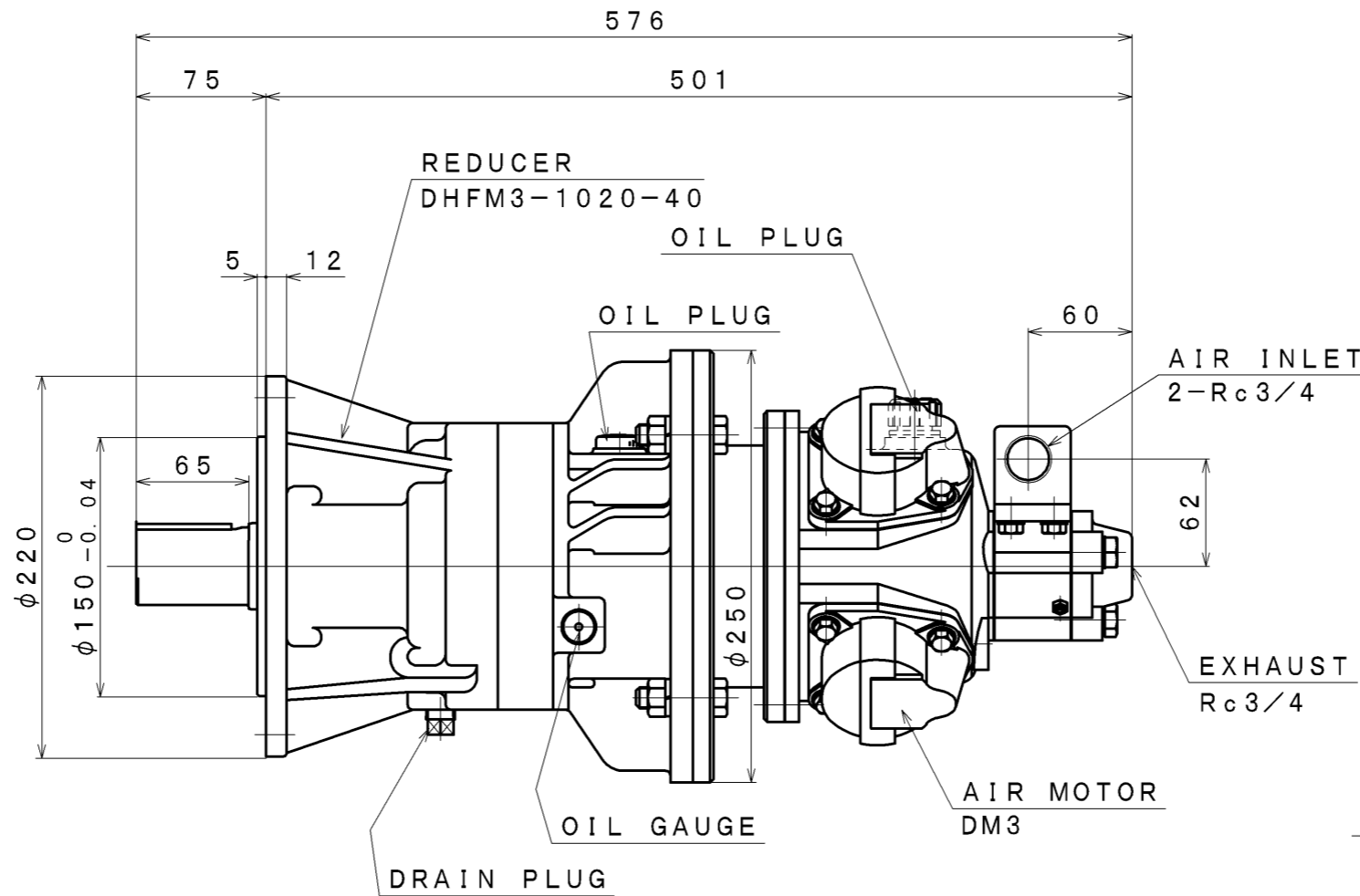
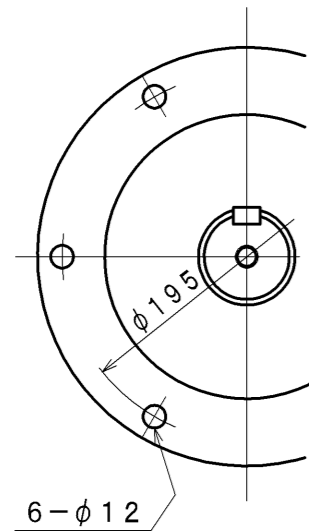


SIGN	REVISION	DATE	B Y
△1	Renewal	111101	R. T
△2	Renewal	160406	W. S



A-PORT B-PORT  
DIRECTION



SPECIFICATION

AIR PRESSURE	AT MAXIMUM OUTPUT				* ALLOWABLE SHAFT LOAD		LUBRICATING OIL		MASS
	OUTPUT	SPEED	TORQUE	AIR CONSUMPTION	RADIAL	THRUST	AIR MOTOR	REDUCER	
(MPa)	(kW)	(rpm)	(N·m)	(m <sup>3</sup> /min (nor))	(kN)	(kN)	△ JIS K2213-1 Turbine Oil	JIS K2219 Gear Oil	about 50
0.6	1.65	35	451	2.0	7.3	-	ISO VG32 (110cc)	ISO VG220 (400cc)	
0.5	1.35	31	416	1.7					
0.4	1.10	28	374	1.4					

\*:At Mid of Shaft

APPROVED	CHECKED	REVIEWED	DRAWN	PARTICULARS	OUTLINE	DATE	OCT. 06. 2010
M. M	M. S	K. S	R. T	MODEL	DM3-F-1020-40	NOTE	
					AIR MOTOR		
SAN-EI SEIKI SEISAKUSHO CO., LTD.					DWG. NO.	E310-526	SCALE 1/4