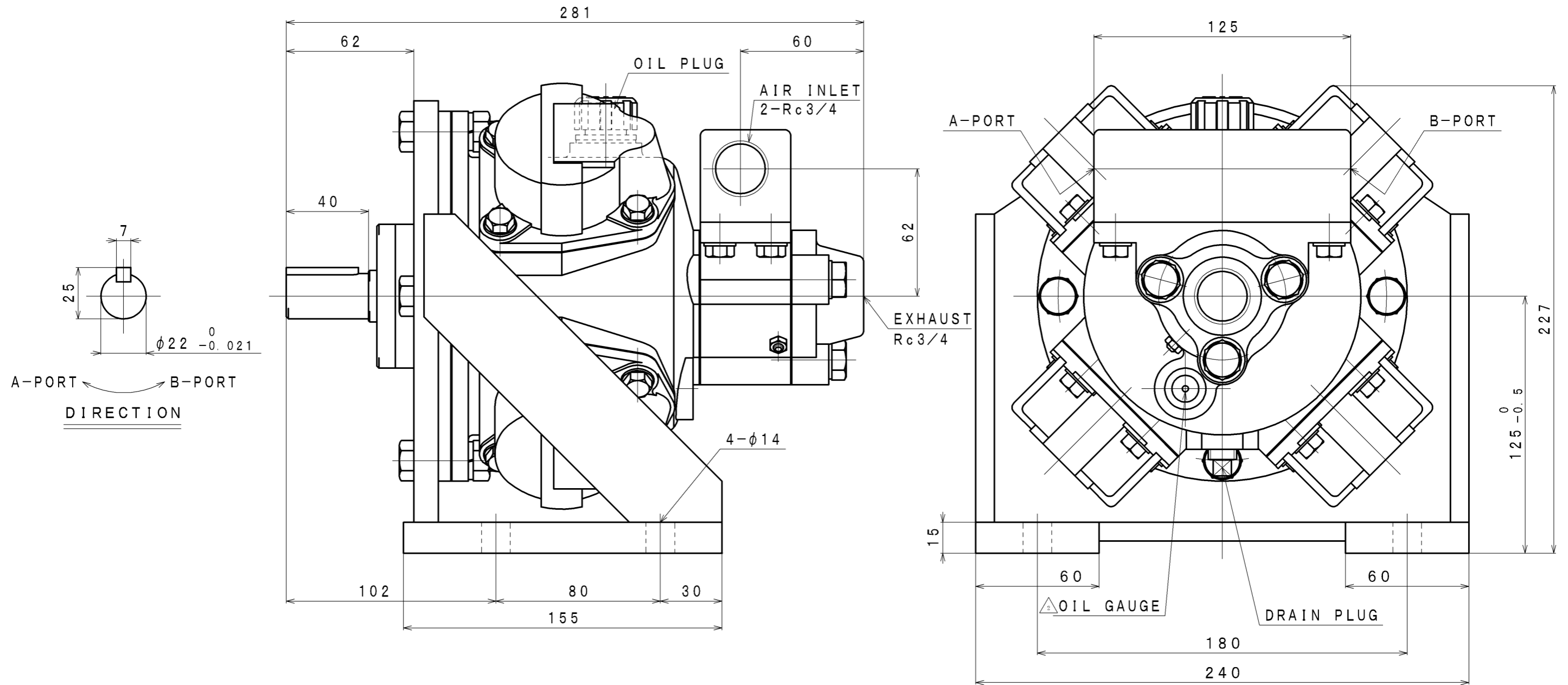


SIGN	REVISION	DATE	B Y
△1	Renewal	111101	R. T
△2	Renewal	160406	W. S



SPECIFICATION

AIR PRESSURE	AT MAXIMUM OUTPUT				※ ALLOWABLE SHAFT LOAD		LUBRICATING OIL	MASS
	OUTPUT	SPEED	TORQUE	AIR CONSUMPTION	RADIAL	THRUST		
(MPa)	(kW)	(rpm)	(N·m)	(m ³ /min (nor))	(kN)	(kN)	AIR MOTOR	(kg)
0.6	1.73	1400	11.8	2.0	0.49	0.15	JIS K2213-1	about 24
0.5	1.43	1250	10.9	1.7			Turbine Oil	
0.4	1.13	1100	9.8	1.4			ISO VG32 (110cc)	

※: At Mid of Shaft

APPROVED	CHECKED	REVIEWED	DRAWN	PARTICULARS	OUTLINE DRAWING	DATE	DEC. 15. 2009
M. M		W. S		MODEL	DM3-HBD1	NOTE	
					AIR MOTOR	Z84-046	
SAN-EI SEIKI SEISAKUSHO CO., LTD.					DWG. NO.	E309-197	SCALE 1/2