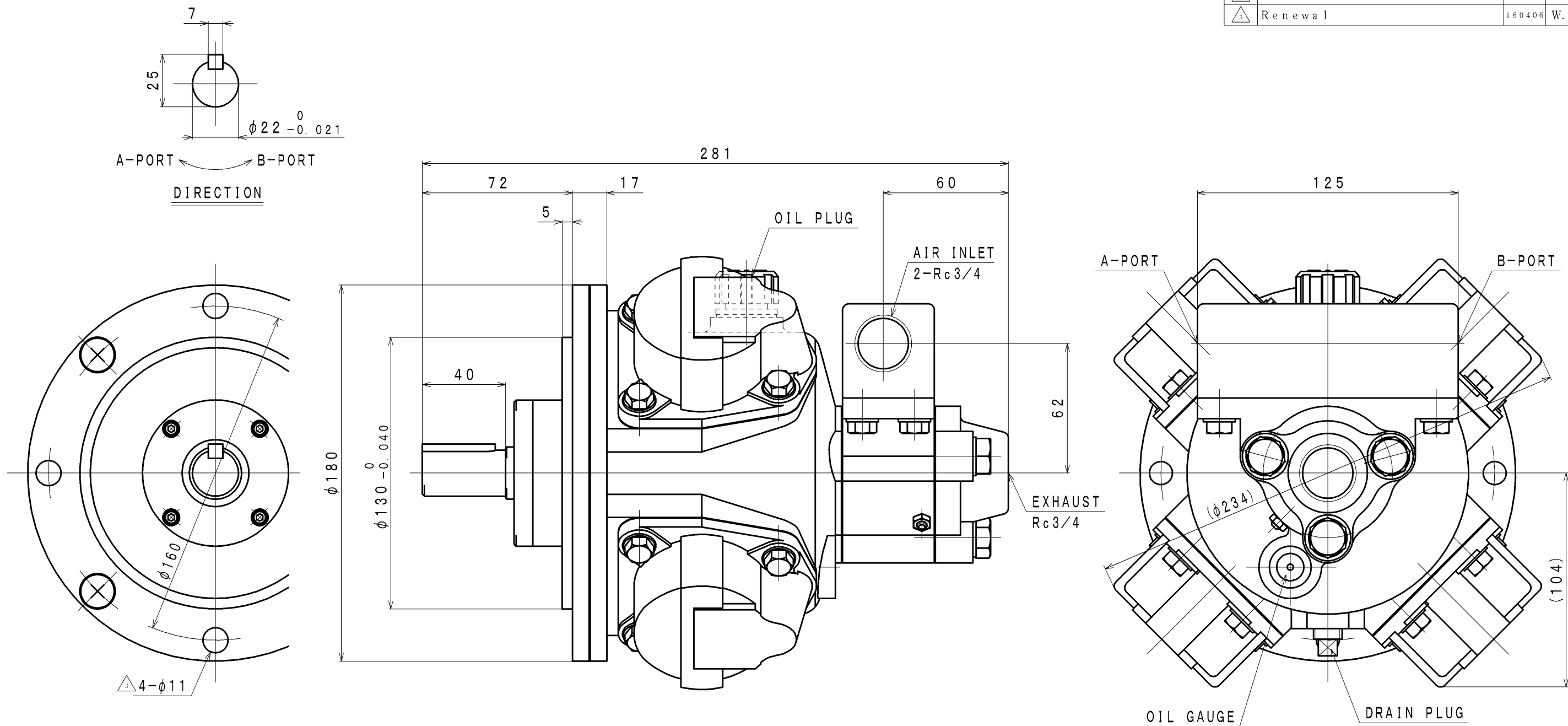


SIGN	REVISION	DATE	B Y
△1	Renewal	091215	W. S
△2	Renewal	111101	R. T
△3	Renewal	160406	W. S



**SPECIFICATION**

AIR PRESSURE (MPa)	AT MAXIMUM OUTPUT				* ALLOWABLE SHAFT LOAD		LUBRICATING OIL AIR MOTOR △2 JIS K2213-1 Turbine Oil ISO VG32 (110cc)	MASS (kg) about 17
	OUTPUT (kW)	SPEED (rpm)	TORQUE (N·m)	AIR CONSUMPTION (m <sup>3</sup> /min (nor))	RADIAL (kN)	THRUST (kN)		
0.6	1.73	1400	11.8	2.0	0.5	0.15		
0.5	1.43	1250	10.9	1.7				
0.4	1.13	1100	9.8	1.4				

\*:At Mid of Shaft

APPROVED	CHECKED	REVIEWED	DRAWN	PARTICULARS	OUTLINE DRAWING	DATE	Jun. 17. 2002
M. M		W. S		MODEL	DM3-HFD1	NOTE	
					AIR MOTOR	Z78-079	
SAN-EI SEIKI SEISAKUSHO CO., LTD.					DWG. NO.	E302-141	SCALE 1/2