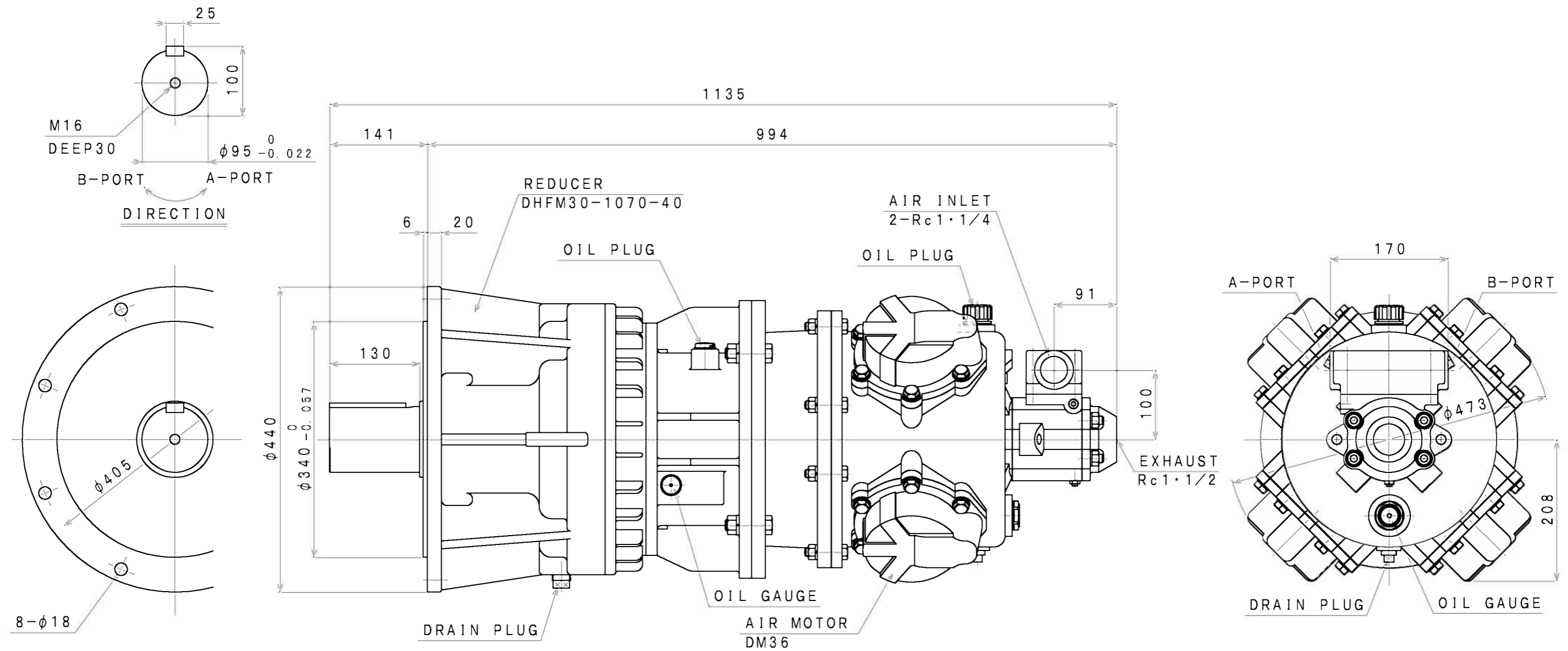


SIGN	REVISION	DATE	B Y
1	Renewal	111101	R. T
2	Renewal	160408	W. S



SPECIFICATION

AIR PRESSURE (MPa)	AT MAXIMUM OUTPUT				* ALLOWABLE SHAFT LOAD		LUBRICATING OIL		MASS (kg)
	OUTPUT (kW)	SPEED (rpm)	TORQUE (N·m)	AIR CONSUMPTION (m ³ /min (nor))	RADIAL (kN)	THRUST (kN)	AIR MOTOR	REDUCER	
0.6	11.29	17	6341	9.0	40.4	-	JIS K2213-1 Turbine Oil	JIS K2219 Gear Oil	about 341
0.5	9.47	16	5653	7.5			ISO VG32	ISO VG220	
0.4	7.00	14	4775	6.5			(1300cc)	(3800cc)	

*:At Mid of Shaft

APPROVED	CHECKED	REVIEWED	DRAWN	PARTICULARS	OUTLINE	DATE	OCT. 08. 2010
M. M	M. S	K. S	R. T	MODEL	DM36-F-1070-40	NOTE	
					AIR MOTOR		
SAN-EI SEIKI SEISAKUSHO CO., LTD.					DWG. NO.	E310-538	SCALE 1/6