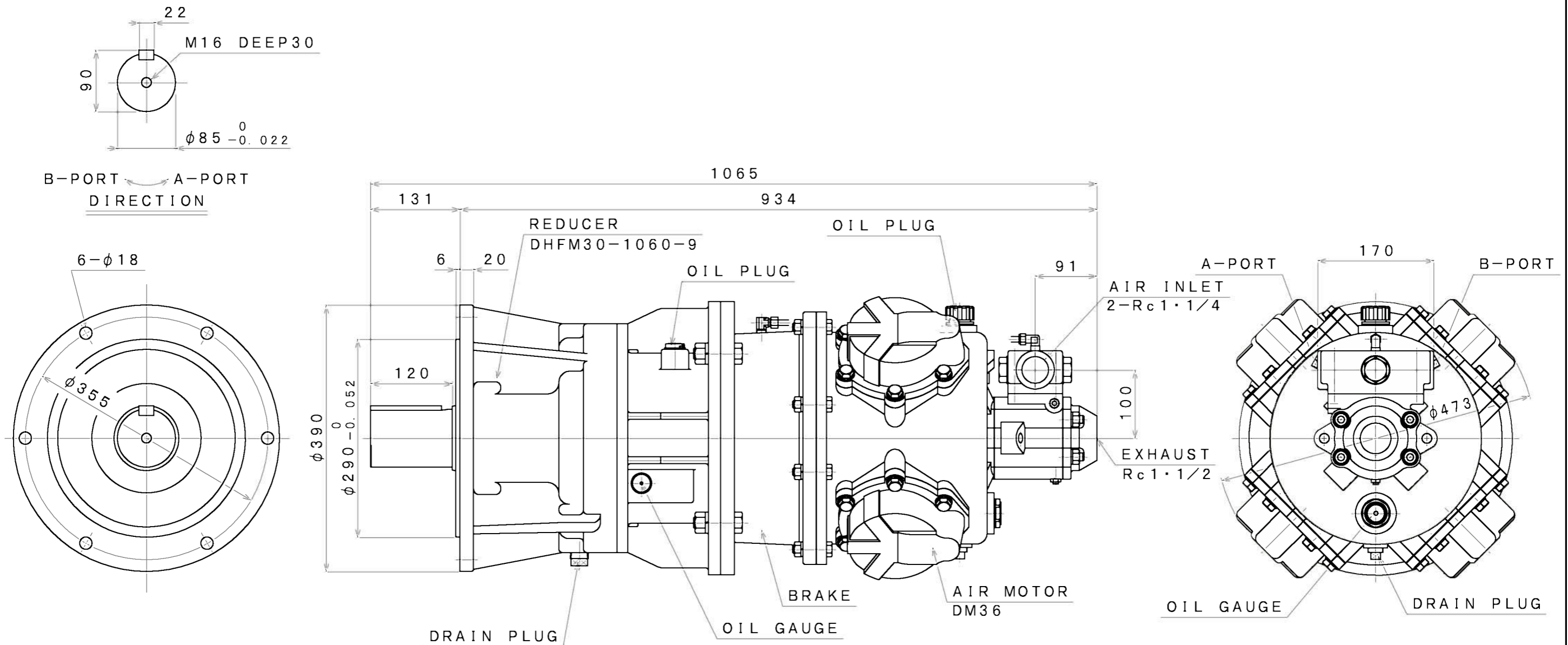


| SIGN | REVISION | DATE   | B Y  |
|------|----------|--------|------|
| △1   | Renewal  | 111102 | R. T |
| △2   | Renewal  | 160407 | W. S |



**SPECIFICATION**

| AIR PRESSURE<br>(MPa) | AT MAXIMUM OUTPUT |                |                 |  | * ALLOWABLE SHAFT LOAD |                | LUBRICATING OIL            |                       | MASS<br>(kg) |
|-----------------------|-------------------|----------------|-----------------|--|------------------------|----------------|----------------------------|-----------------------|--------------|
|                       | OUTPUT<br>(kW)    | SPEED<br>(rpm) | TORQUE<br>(N·m) | AIR CONSUMPTION<br>(m <sup>3</sup> /min (nor)) | RADIAL<br>(kN)         | THRUST<br>(kN) | AIR MOTOR                  | REDUCER               |              |
| 0.6                   | 11.70             | 79             | 1415            | 9.0  | 18.0                   | -              | JIS K2213-1<br>Turbine Oil | JIS K2219<br>Gear Oil | about<br>282 |
| 0.5                   | 9.51              | 72             | 1262            | 7.5  |                        |                | ISJ VG32<br>(1300cc)       | ISJ VG220<br>(2000cc) |              |
| 0.4                   | 7.37              | 66             | 1066            | 6.5  |                        |                |                            |                       |              |

\*:At Mid of Shaft

| APPROVED                          | CHECKED | REVIEWED | DRAWN | PARTICULARS | OUTLINE DRAWING | DATE     | OCT. 12. 2010 |
|-----------------------------------|---------|----------|-------|-------------|-----------------|----------|---------------|
| M. M                              | M. S    | K. S     | W. S  | MODEL       | DM36B-F-1060-9  | NOTE     |               |
| SAN-EI SEIKI SEISAKUSHO CO., LTD. |         |          |       |             | DWG. NO.        | E310-583 | SCALE 1/6     |