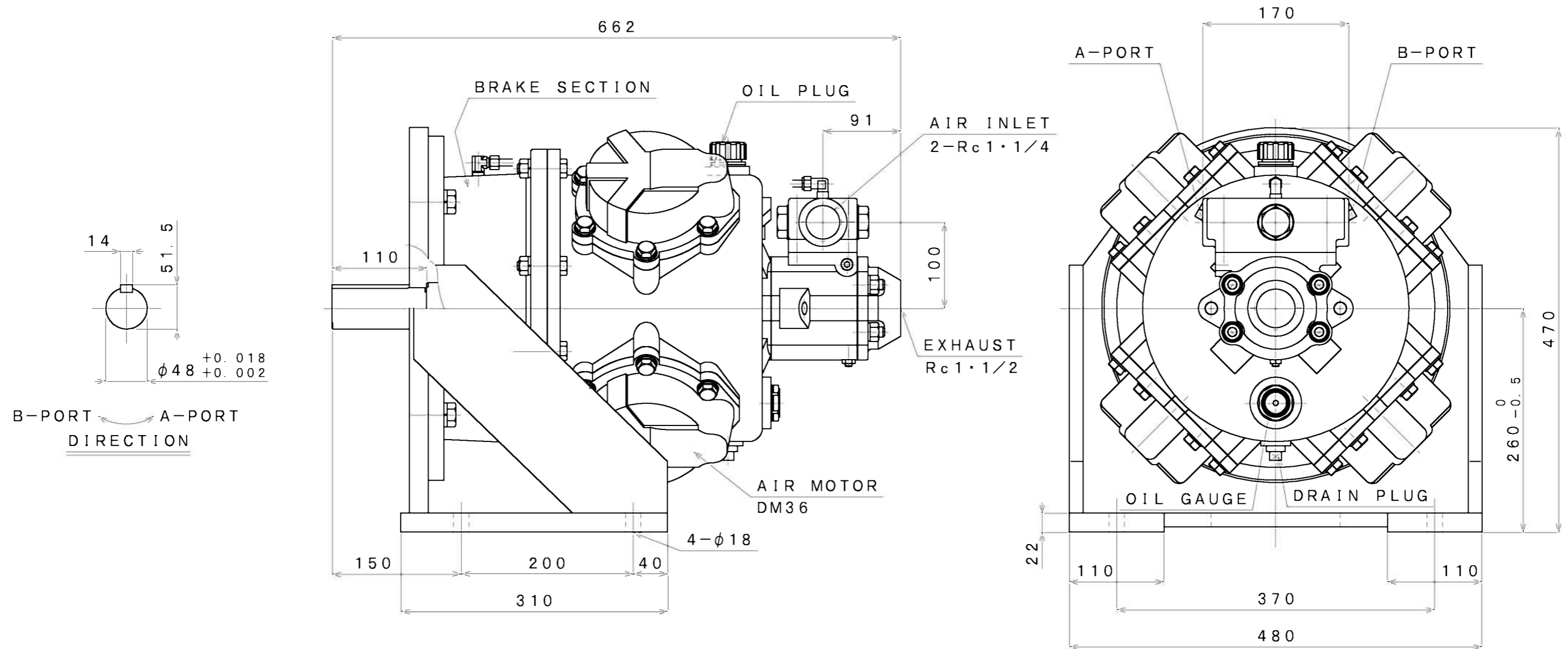


SIGN	REVISION	DATE	B Y
△1	Renewal	111102	R. T
△2	Renewal	160408	W. S



SPECIFICATION

AIR PRESSURE	AT MAXIMUM OUTPUT				※ ALLOWABLE SHAFT LOAD		LUBRICATING OIL	MASS
	OUTPUT	SPEED	TORQUE	AIR CONSUMPTION	RADIAL	THRUST		
(MPa)	(kW)	(rpm)	(N·m)	(m ³ /min (nor))	(kN)	(kN)	AIR MOTOR △ JIS K2213-1 Turbine Oil ISO VG32 (1300cc)	(kg)
0.6	12.0	690	166	9.0	4.0	0.8		about 211
0.5	9.8	630	148	7.5				
0.4	7.5	575	125	6.5				

※: At Mid of Shaft

APPROVED	CHECKED	REVIEWED	DRAWN	PARTICULARS	OUTLINE DRAWING	DATE	JAN. 05. 2010
M. M		W. S		MODEL	DM36B-HBD1	NOTE	
					AIR MOTOR	Z06-035	
SAN-EI SEIKI SEISAKUSHO CO., LTD.					DWG. NO.	E310-002	SCALE 1/5