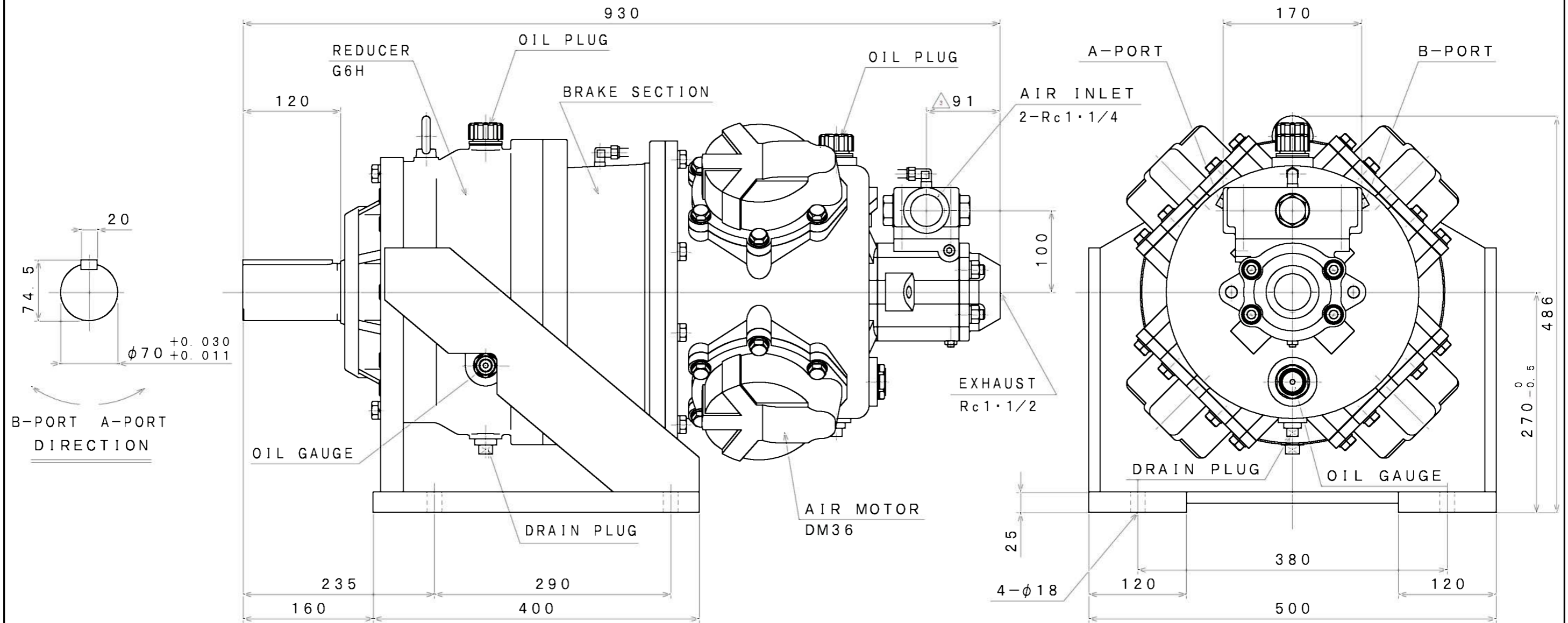


SIGN	REVISION	DATE	B Y
1	Renewal	111103	R. T
2	Correction	120328	R. T
3	Renewal	160406	W. S



SPECIFICATION

AIR PRESSURE	AT MAXIMUM OUTPUT				* ALLOWABLE SHAFT LOAD		LUBRICATING OIL		MASS
	OUTPUT	SPEED	TORQUE	AIR CONSUMPTION Δ	RADIAL	THRUST	AIR MOTOR	REDUCER	
(MPa)	(kW)	(rpm)	(N·m)	(m ³ /min (nor))	(kN)	(kN)	Δ JIS K2213-1 Turbine Oil	JIS K2219 Gear Oil	(kg)
0.6	11.2	200	537	9.0			ISO VG32 (1300cc)	ISO VG220 (1200cc)	Δ about 357
0.5	9.0	180	477	7.5	12.5	3.0			
0.4	6.7	160	403	6.5					

*:At Mid of Shaft

APPROVED	CHECKED	REVIEWED	DRAWN	PARTICULARS	OUTLINE DRAWING	DATE	JAN. 12. 2010
M. M		W. S		MODEL	DM36BG6H4B	NOTE	
					AIR MOTOR		
SAN-EI SEIKI SEISAKUSHO CO., LTD.					DWG. NO.	E310-041	SCALE 1/5