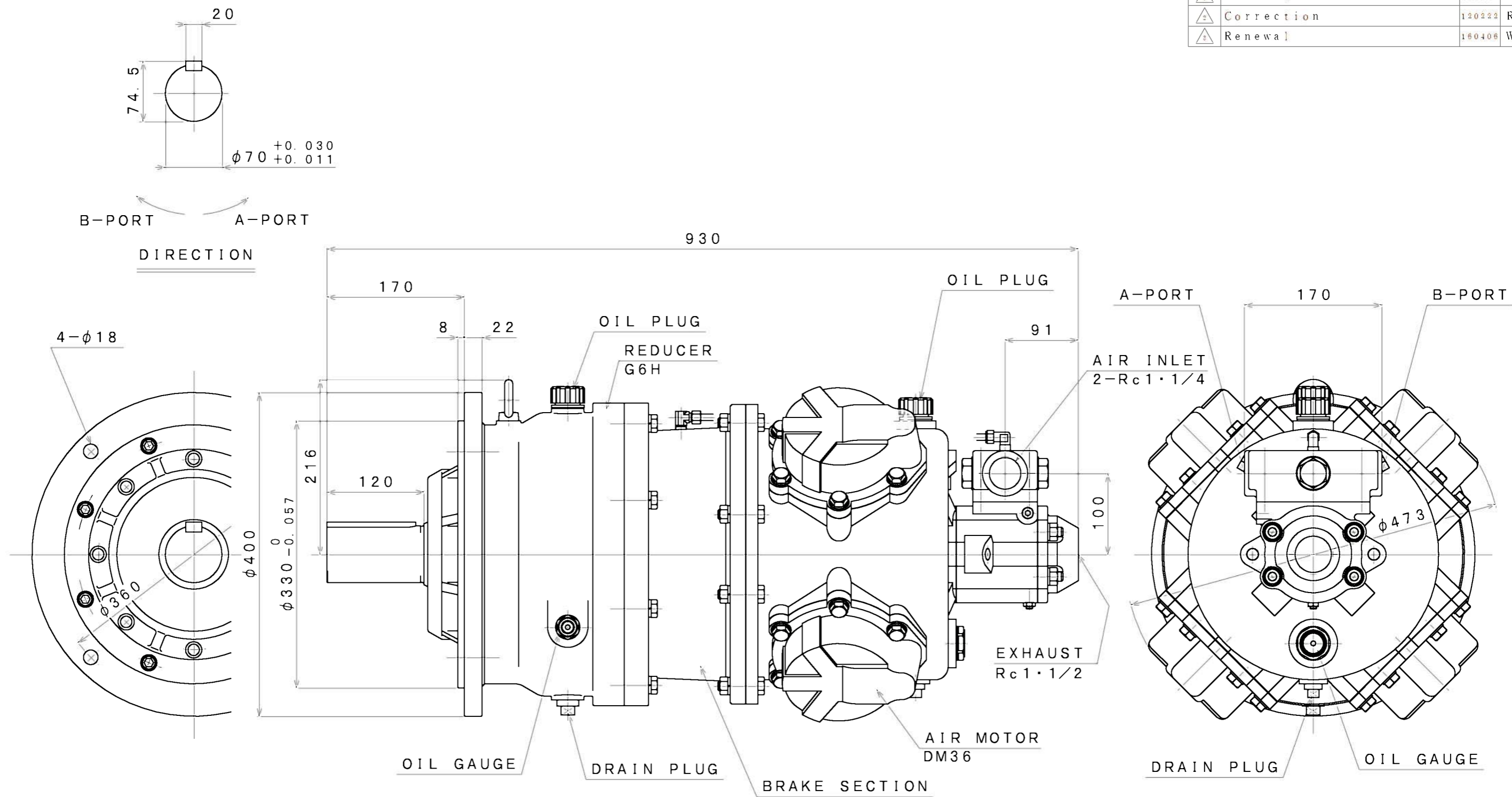


SIGN	REVISION	DATE	B Y
①	Renewal	111103	R. T
②	Correction	120323	R. T
③	Renewal	150406	W. S



**SPECIFICATION**

AIR PRESSURE (MPa)	AT MAXIMUM OUTPUT				* ALLOWABLE SHAFT LOAD		LUBRICATING OIL		MASS (kg)
	OUTPUT (kW)	SPEED (rpm)	TORQUE (N·m)	AIR CONSUMPTION (m <sup>3</sup> /min (nor))	RADIAL (kN)	THRUST (kN)	AIR MOTOR	REDUCER	
0.6	11.2	200	537	9.0	12.5	3.0	① JIS K2213-1 Turbine Oil	JIS K2219 Gear Oil	② about 317
0.5	9.0	180	477	7.5			ISO VG32	ISO VG220	
0.4	6.7	160	403	6.5			(1300cc)	(1200cc)	

\*:At Mid of Shaft

APPROVED	CHECKED	REVIEWED	DRAWN	PARTICULARS	OUTLINE DRAWING	DATE	JAN. 12. 2010
M. M		W. S		MODEL	DM36BG6H4F	NOTE	
SAN-EI SEIKI SEISAKUSHO CO., LTD.					DWG. NO.	E310-038	SCALE 1/5