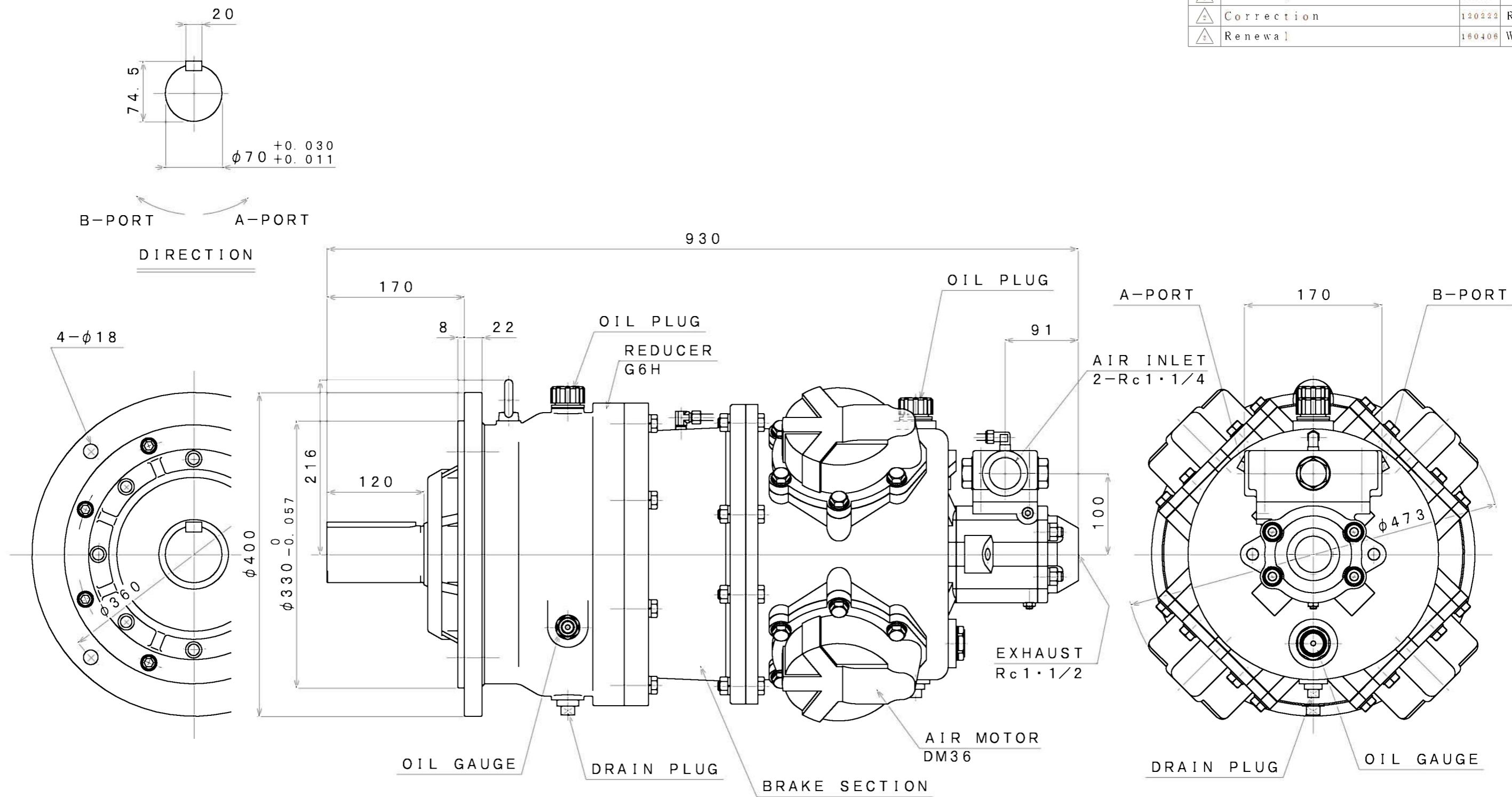


SIGN	REVISION	DATE	B Y
①	Renewal	111103	R. T
②	Correction	120323	R. T
③	Renewal	150406	W. S



SPECIFICATION

AIR PRESSURE (MPa)	AT MAXIMUM OUTPUT				* ALLOWABLE SHAFT LOAD		LUBRICATING OIL		MASS (kg)
	OUTPUT (kW)	SPEED (rpm)	TORQUE (N·m)	AIR CONSUMPTION (m ³ /min (nor))	RADIAL (kN)	THRUST (kN)	AIR MOTOR	REDUCER	
0.6	11.2	90	1190	9.0			① JIS K2213-1 Turbine Oil	JIS K2219 Gear Oil	② about 317
0.5	9.0	80	1070	7.5	16.5	3.0	ISO VG32 (1300cc)	ISO VG220 (1200cc)	
0.4	6.7	74	871	6.5					

*:At Mid of Shaft

APPROVED	CHECKED	REVIEWED	DRAWN	PARTICULARS	OUTLINE DRAWING	DATE	JAN. 12. 2010
M. M		W. S		MODEL	DM36BG6H8F	NOTE	
SAN-EI SEIKI SEISAKUSHO CO., LTD.					DWG. NO.	E310-040	SCALE 1/5