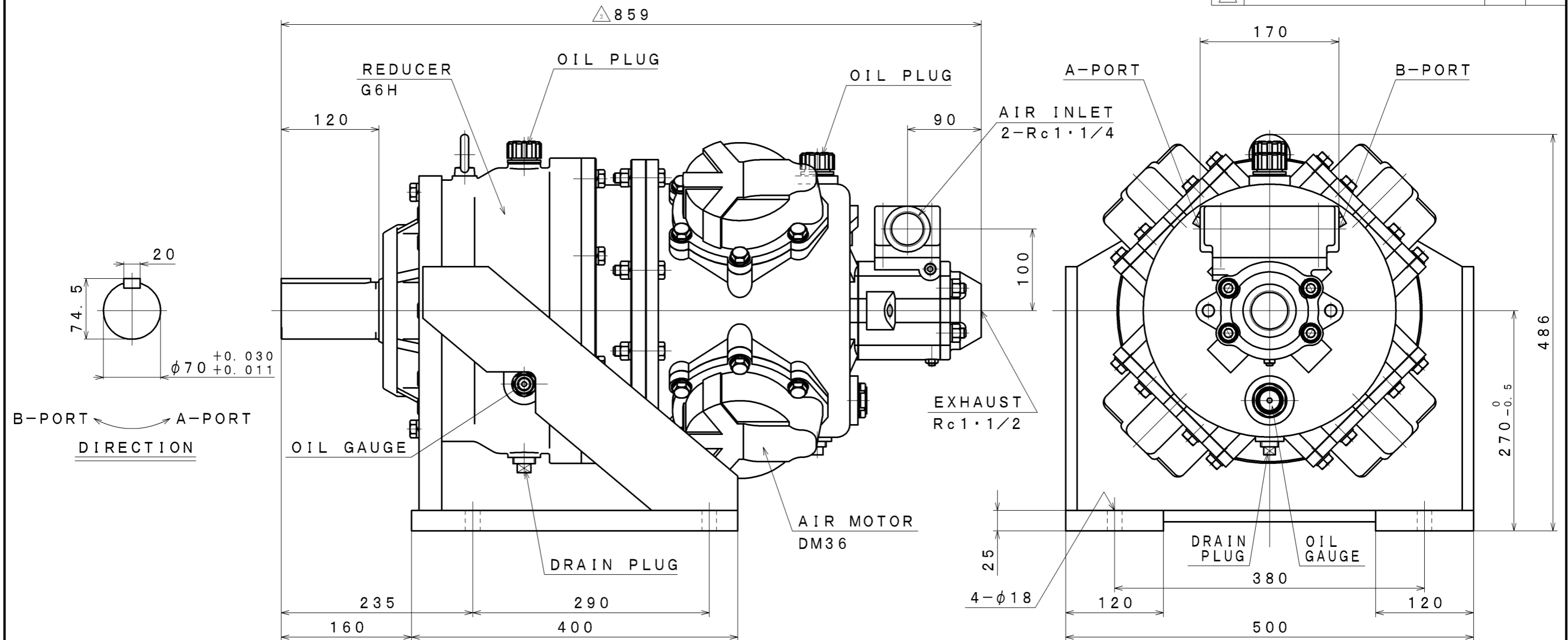


SIGN	REVISION	DATE	B Y
△1	Renewal	111101	R. T
△2	Renewal	160406	W. S



SPECIFICATION

AIR PRESSURE	AT MAXIMUM OUTPUT				* ALLOWABLE SHAFT LOAD		LUBRICATING OIL		MASS
	OUTPUT	SPEED	TORQUE	AIR CONSUMPTION	RADIAL	THRUST	AIR MOTOR	REDUCER	
(MPa)	(kW)	(rpm)	(N·m)	(m ³ /min (nor))	(kN)	(kN)	△ JIS K2213-1 Turbine Oil	JIS K2219 Gear Oil	(kg)
0.6	11.2	125	859	9.0	14.8	3.0	ISO VG32 (1300cc)	ISO VG220 (1200cc)	about 297
0.5	9.0	110	781	7.5					
0.4	6.8	100	645	6.5					

*: At Mid of Shaft

APPROVED	CHECKED	REVIEWED	DRAWN	PARTICULARS	OUTLINE DRAWING	DATE	SEP. 24. 2010
M. M	M. S	K. S	W. S	MODEL	DM36G6H6B	NOTE	
					AIR MOTOR	Z98-037	
SAN-EI SEIKI SEISAKUSHO CO., LTD.					DWG. NO.	E310-503	SCALE 1/5