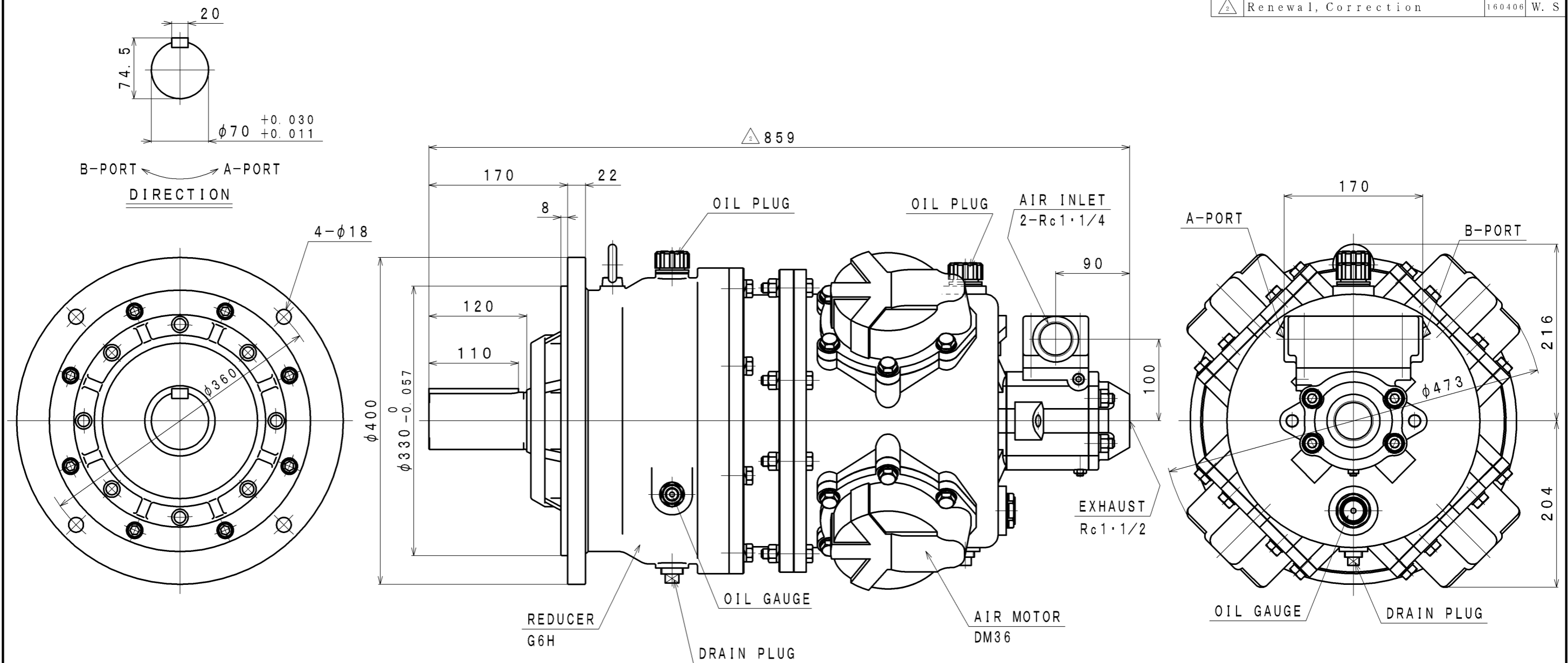


SIGN	REVISION	DATE	B Y
△1	Renewal	111101	R. T
△2	Renewal, Correction	160406	W. S



SPECIFICATION

AIR PRESSURE (MPa)	AT MAXIMUM OUTPUT				* ALLOWABLE SHAFT LOAD		LUBRICATING OIL		MASS (kg)
	OUTPUT (kW)	SPEED (rpm)	TORQUE (N·m)	AIR CONSUMPTION (m ³ /min (nor))	RADIAL (kN)	THRUST (kN)	AIR MOTOR	REDUCER	
0.6	11.2	125	859	9.0	14.8	3.0	△ JIS K2213-1 Turbine Oil	JIS K2219 Gear Oil	about 257
0.5	9.0	110	781	7.5			ISO VG32 (1300cc)	ISO VG220 (1200cc)	
0.4	6.8	100	645	6.5					

*: At Mid of Shaft

APPROVED	CHECKED	REVIEWED	DRAWN	PARTICULARS	OUTLINE DRAWING	DATE	SEP. 24. 2010
M. M	M. S	K. S	W. S	MODEL	DM36G6H6F	NOTE	
					AIR MOTOR	Z03-026 △	
SAN-EI SEIKI SEISAKUSHO CO., LTD.				DWG. NO.	E310-502 △	SCALE	1/5