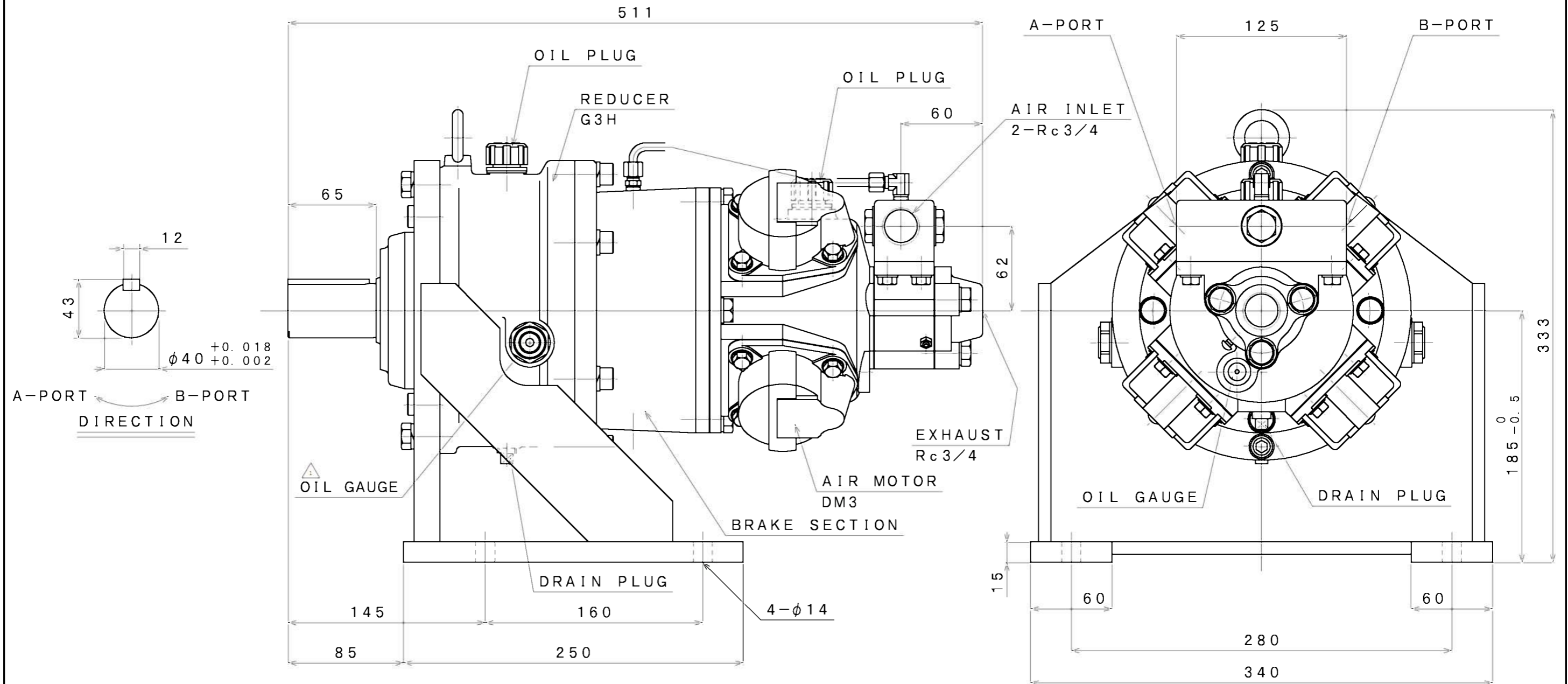


SIGN	REVISION	DATE	B Y
1	Renewal	111103	R. T
2	Correction	120223	R. T
3	Renewal	150406	W. S



**SPECIFICATION**

AIR PRESSURE (MPa)	AT MAXIMUM OUTPUT				* ALLOWABLE SHAFT LOAD		LUBRICATING OIL		MASS (kg)
	OUTPUT (kW)	SPEED (rpm)	TORQUE (N·m)	AIR CONSUMPTION (m <sup>3</sup> /min (nor))	RADIAL (kN)	THRUST (kN)	AIR MOTOR	REDUCER	
0.6	1.65	400	39.4	2.0	2.6	0.5	JIS K2213-1 Turbine Oil	JIS K2219 Gear Oil	about 75
0.5	1.31	360	34.8	1.7			ISO VG32 (110cc)	ISO VG220 (150cc)	
0.4	1.05	320	31.3	1.4					

\*:At Mid of Shaft

APPROVED	CHECKED	REVIEWED	DRAWN	PARTICULARS	OUTLINE DRAWING	DATE	JAN. 08. 2010
M. M		W. S		MODEL	DM3BG3H4B	NOTE	
SAN-EI				SEIKI SEISAKUSHO CO., LTD.	DWG. NO.	E310-021	SCALE 1/3