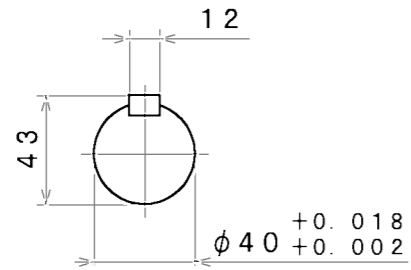
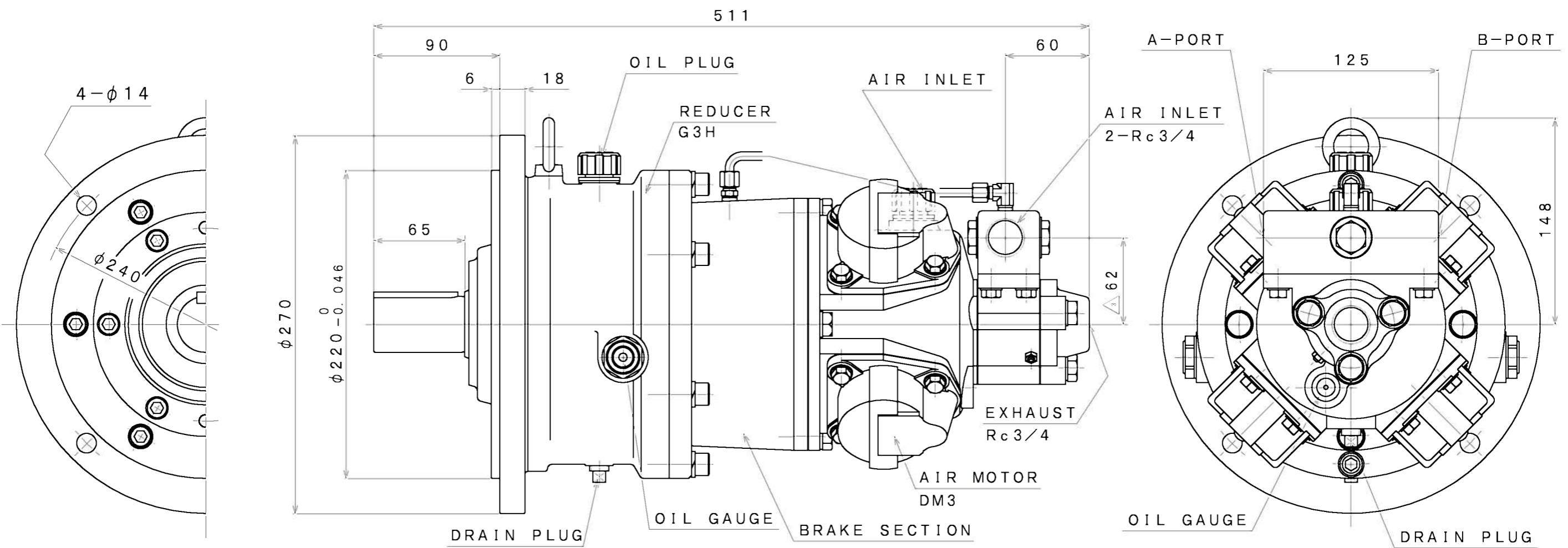


SIGN	REVISION	DATE	B Y
△1	Renewal	111103	R. T
△2	Correction	120323	R. T
△3	Renewal	150406	W. S



A-PORT B-PORT
DIRECTION



SPECIFICATION

AIR PRESSURE	AT MAXIMUM OUTPUT				* ALLOWABLE SHAFT LOAD		LUBRICATING OIL		MASS
	OUTPUT	SPEED	TORQUE	AIR CONSUMPTION [△]	RADIAL	THRUST	AIR MOTOR	REDUCER	
(MPa)	(kW)	(rpm)	(N·m)	(m ³ /min (nor))	(kN)	(kN)			(kg)
0.6	1.65	250	63.0	2.0	3.0	0.5	△ JIS K2213-1	JIS K2219	△ about 56
0.5	1.31	220	57.0	1.7			Turbine Oil	Gear Oil	
0.4	1.05	200	50.1	1.4			ISO VG32 (110cc)	ISO VG220 (150cc)	

*: At Mid of Shaft

APPROVED	CHECKED	REVIEWED	DRAWN	PARTICULARS	OUTLINE DRAWING	DATE	JAN. 08. 2010
M. M		W. S		MODEL	DM3BG3H6F	NOTE	
					AIR MOTOR	Z97-075	
SAN-EI SEIKI SEISAKUSHO CO., LTD.					DWG. NO.	E310-022	SCALE 1/3