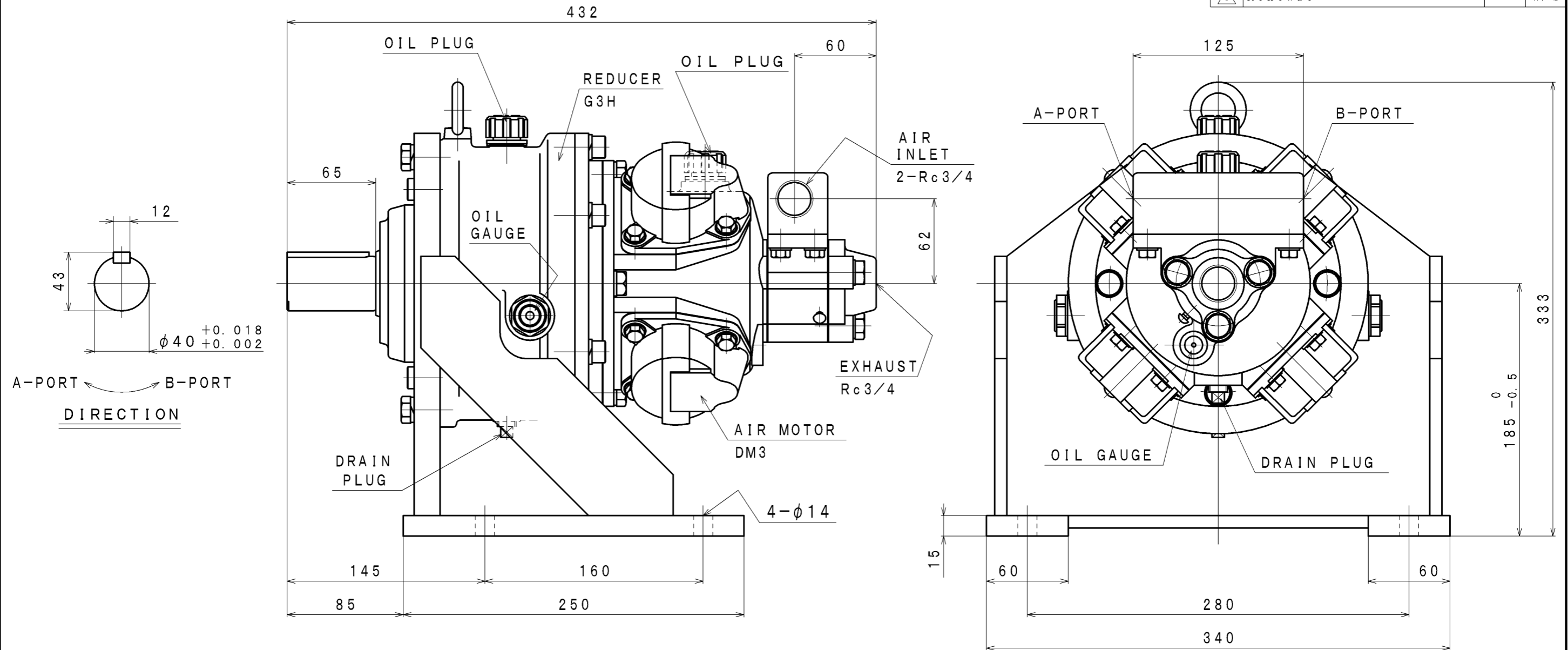


SIGN	REVISION	DATE	B Y
△1	Renewal	111101	R. T
△2	Renewal	160406	W. S



**SPECIFICATION**

AIR PRESSURE	AT MAXIMUM OUTPUT				* ALLOWABLE SHAFT LOAD		LUBRICATING OIL		MASS
	OUTPUT	SPEED	TORQUE	AIR CONSUMPTION	RADIAL	THRUST	AIR MOTOR	REDUCER	
(MPa)	(kW)	(rpm)	(N·m)	(m <sup>3</sup> /min (nor))	(kN)	(kN)	△ JIS K2213-1 Turbine Oil	JIS K2219 Gear Oil	(kg)
0.6	1.65	250	63.0	2.0	3.0	0.5	ISO VG32 (110cc)	ISO VG220 (150cc)	about 56
0.5	1.31	220	57.0	1.7					
0.4	1.05	200	50.1	1.4					

\*:At Mid of Shaft

APPROVED	CHECKED	REVIEWED	DRAWN	PARTICULARS	OUTLINE DRAWING	DATE	SEP. 24. 2010
M. M	M. S	K. S	W. S	MODEL	DM3G3H6B	NOTE	
					AIR MOTOR	Z97-061	
SAN-EI SEIKI SEISAKUSHO CO., LTD.					DWG. NO.	E310-495	SCALE 1/3