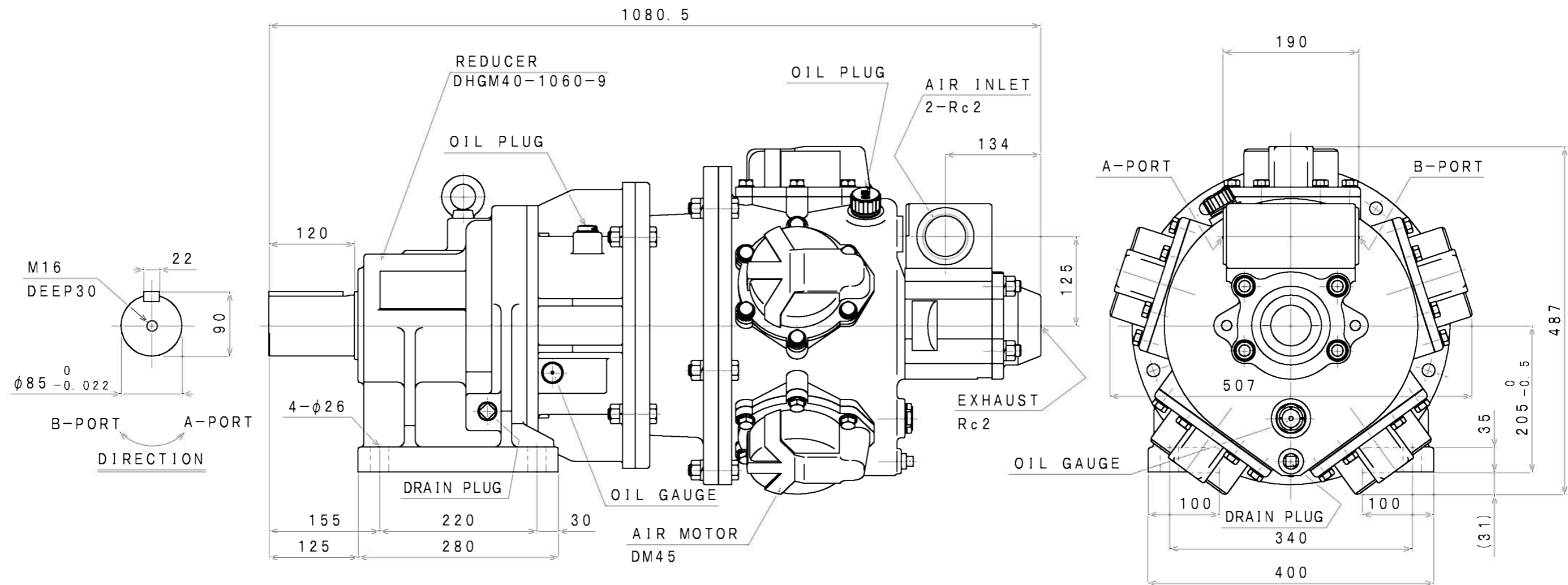


SIGN	REVISION	DATE	B Y
1	Renewal	111101	R. T
2	Renewal	160408	W. S



### SPECIFICATION

AIR PRESSURE (MPa)	AT MAXIMUM OUTPUT				* ALLOWABLE SHAFT LOAD		LUBRICATING OIL		MASS (kg)
	OUTPUT (kW)	SPEED (rpm)	TORQUE (N·m)	AIR CONSUMPTION (m <sup>3</sup> /min (nor))	RADIAL (kN)	THRUST (kN)	AIR MOTOR	REDUCER	
0.6	17.32	98	1688	17.0	18.0	-	JIS K2213-1 Turbine Oil	JIS K2219 Gear Oil	about 294
0.5	13.96	92	1449	14.0			ISO VG32	ISO VG220	
0.4	10.98	86	1219	12.0			(1400cc)	(2000cc)	

\*:At Mid of Shaft

APPROVED	CHECKED	REVIEWED	DRAWN	PARTICULARS	OUTLINE	DATE	OCT. 12. 2010
M. M	M. S	K. S	R. T	MODEL	DM45-G-1060-9	NOTE	
					AIR MOTOR		
SAN-EI SEIKI SEISAKUSHO CO., LTD.					DWG. NO.	E310-563	SCALE
						1/6	