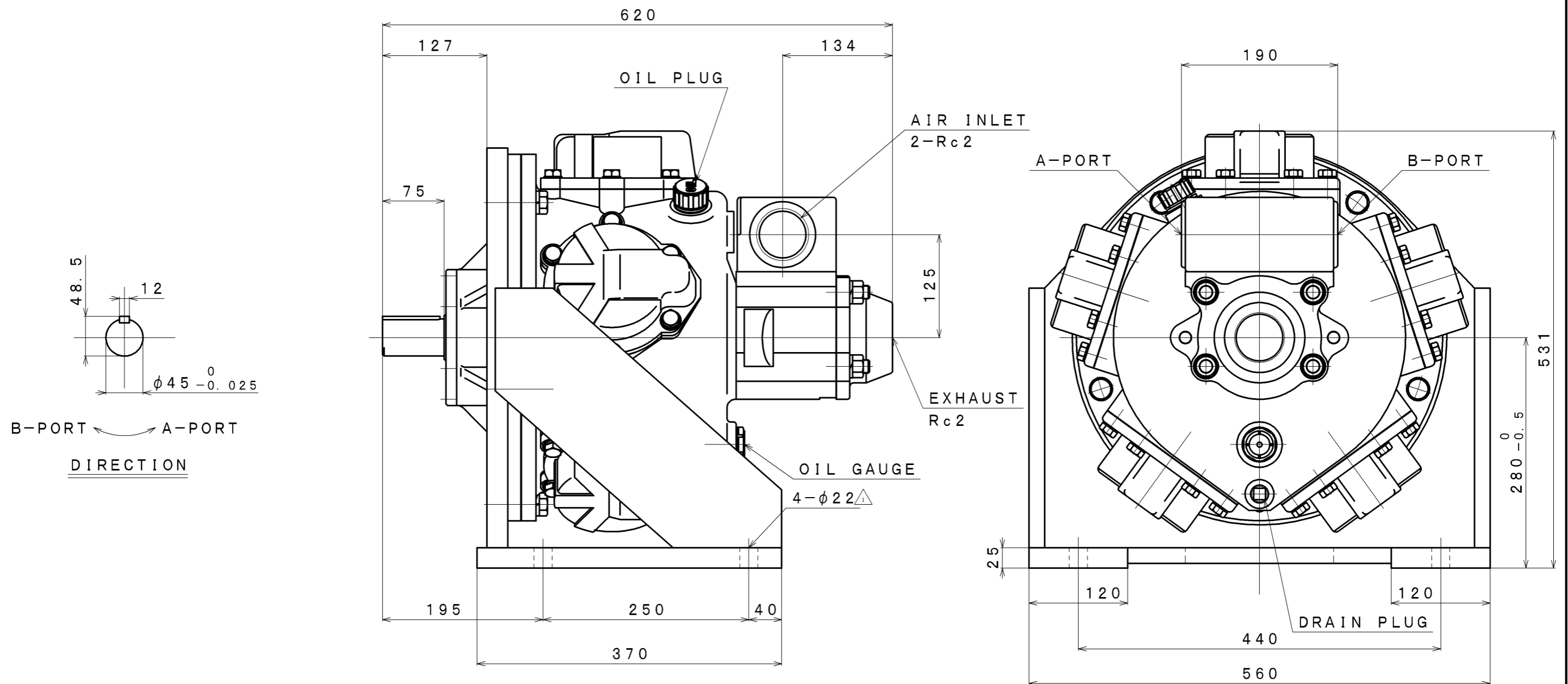


SIGN	REVISION	DATE	B Y
△1	Correction	100224	W. S
△2	Renewal	111101	R. T
△3	Renewal	160406	W. S



B-PORT → A-PORT
DIRECTION

SPECIFICATION

AIR PRESSURE	AT MAXIMUM OUTPUT				* ALLOWABLE SHAFT LOAD		LUBRICATING OIL	MASS
	OUTPUT	SPEED	TORQUE	AIR CONSUMPTION △	RADIAL	THRUST		
(MPa)	(kW)	(rpm)	(N·m)	(m ³ /min (nor))	(kN)	(kN)	△ JIS K2213-1 Turbine Oil ISO VG32 (1400cc)	(kg)
0.6	17.62	850	198	17.0	5.2	1.0	about 224	
0.5	14.24	800	170	14.0				
0.4	11.23	750	143	12.0				

*:At Mid of Shaft

APPROVED	CHECKED	REVIEWED	DRAWN	PARTICULARS	OUTLINE DRAWING	DATE	DEC. 21. 2009
M. M		W. S		MODEL	DM45-HBD1	NOTE	
					AIR MOTOR	Z89-004	
SAN-EI SEIKI SEISAKUSHO CO., LTD.					DWG. NO.	E309-204	SCALE
						△3	1/5