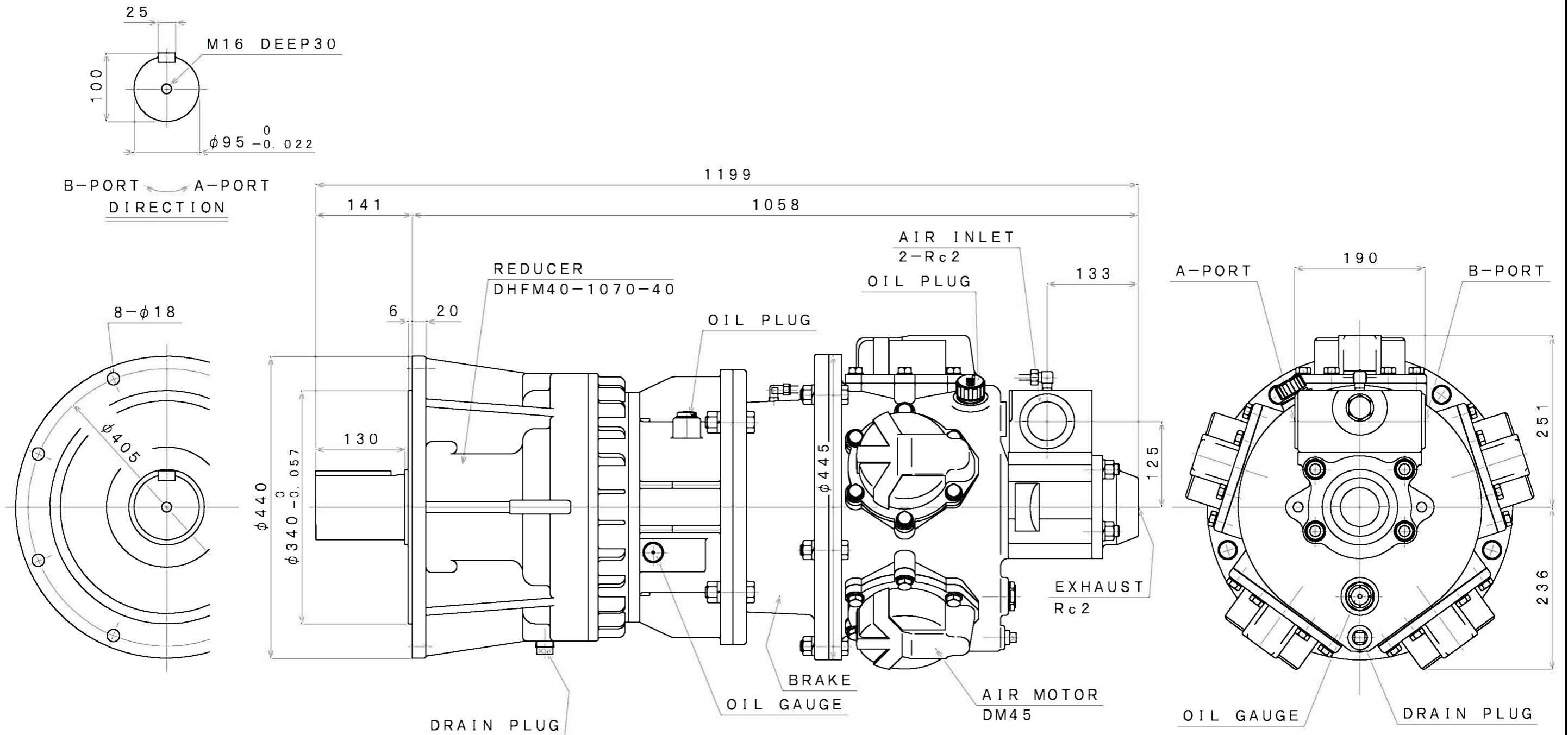


| SIGN | REVISION | DATE   | B Y  |
|------|----------|--------|------|
| △1   | Renewal  | 111102 | R. T |
| △2   | Renewal  | 160407 | W. S |



**SPECIFICATION**

| AIR PRESSURE<br>(MPa) | AT MAXIMUM OUTPUT |                |                 |  | * ALLOWABLE SHAFT LOAD |                | LUBRICATING OIL            |                       | MASS<br>(kg) |
|-----------------------|-------------------|----------------|-----------------|--|------------------------|----------------|----------------------------|-----------------------|--------------|
|                       | OUTPUT<br>(kW)    | SPEED<br>(rpm) | TORQUE<br>(N·m) | AIR CONSUMPTION<br>(m <sup>3</sup> /min (nor)) | RADIAL<br>(kN)         | THRUST<br>(kN) | AIR MOTOR                  | REDUCER               |              |
| 0.6                   | 16.63             | 21             | 7563            | 17.0   | 32.1                   | -              | JIS K2213-1<br>Turbine Oil | JIS K2219<br>Gear Oil | about<br>404 |
| 0.5                   | 13.60             | 20             | 6494            | 14.0   |                        |                | ISO VG32                   | ISO VG220             |              |
| 0.4                   | 10.87             | 19             | 5462            | 12.0   |                        |                | (1400cc)                   | (3800cc)              |              |

\*:At Mid of Shaft

| APPROVED                          | CHECKED | REVIEWED | DRAWN | PARTICULARS | OUTLINE         | DATE     | OCT. 12. 2010 |
|-----------------------------------|---------|----------|-------|-------------|-----------------|----------|---------------|
| M. M                              | M. S    | K. S     | R. T  | MODEL       | DM45B-F-1070-40 | NOTE     |               |
|                                   |         |          |       |             | AIR MOTOR       |          |               |
| SAN-EI SEIKI SEISAKUSHO CO., LTD. |         |          |       |             | DWG. NO.        | E310-590 | SCALE 1/6     |