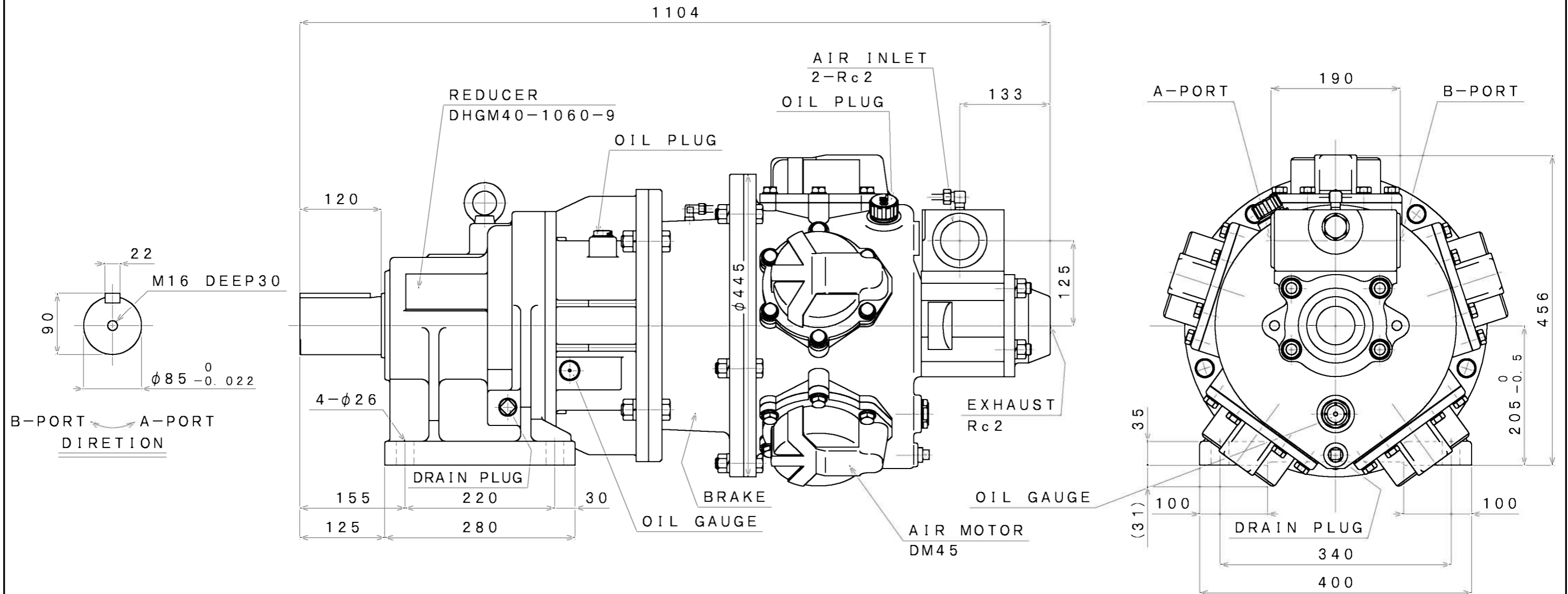


| SIGN | REVISION | DATE | B Y |
|------|----------|--------|------|
| △1 | Renewal | 111102 | R. T |
| △2 | Renewal | 160407 | W. S |



SPECIFICATION

| AIR PRESSURE (MPa) | AT MAXIMUM OUTPUT | | | | * ALLOWABLE SHAFT LOAD | | LUBRICATING OIL | | MASS (kg) |
|-----------------------|-------------------|----------------|-----------------|--|------------------------|----------------|---------------------------------|-----------------------|--------------|
| | OUTPUT (kW) | SPEED (rpm) | TORQUE (N·m) | AIR CONSUMPTION (m ³ /min (nor)) | RADIAL (kN) | THRUST (kN) | AIR MOTOR | REDUCER | |
| 0.6 | 17.32 | 98 | 1688 | 17.0 | 18.0 | - | △ JIS K2213-1 Turbine Oil | JIS K2219 Gear Oil | about 324 |
| 0.5 | 13.96 | 92 | 1449 | 14.0 | | | ISO VG32 | ISO VG220 | |
| 0.4 | 10.98 | 86 | 1219 | 12.0 | | | (1400cc) | (2000cc) | |

*:At Mid of Shaft

| APPROVED | CHECKED | REVIEWED | DRAWN | PARTICULARS | OUTLINE | DATE | OCT. 12. 2010 |
|-----------------------------------|---------|----------|-------|-------------|----------------|----------|---------------|
| M. M | M. S | K. S | R. T | MODEL | DM45B-G-1060-9 | NOTE | |
| | | | | | AIR MOTOR | | |
| SAN-EI SEIKI SEISAKUSHO CO., LTD. | | | | | DWG. NO. | E310-611 | SCALE 1/6 |