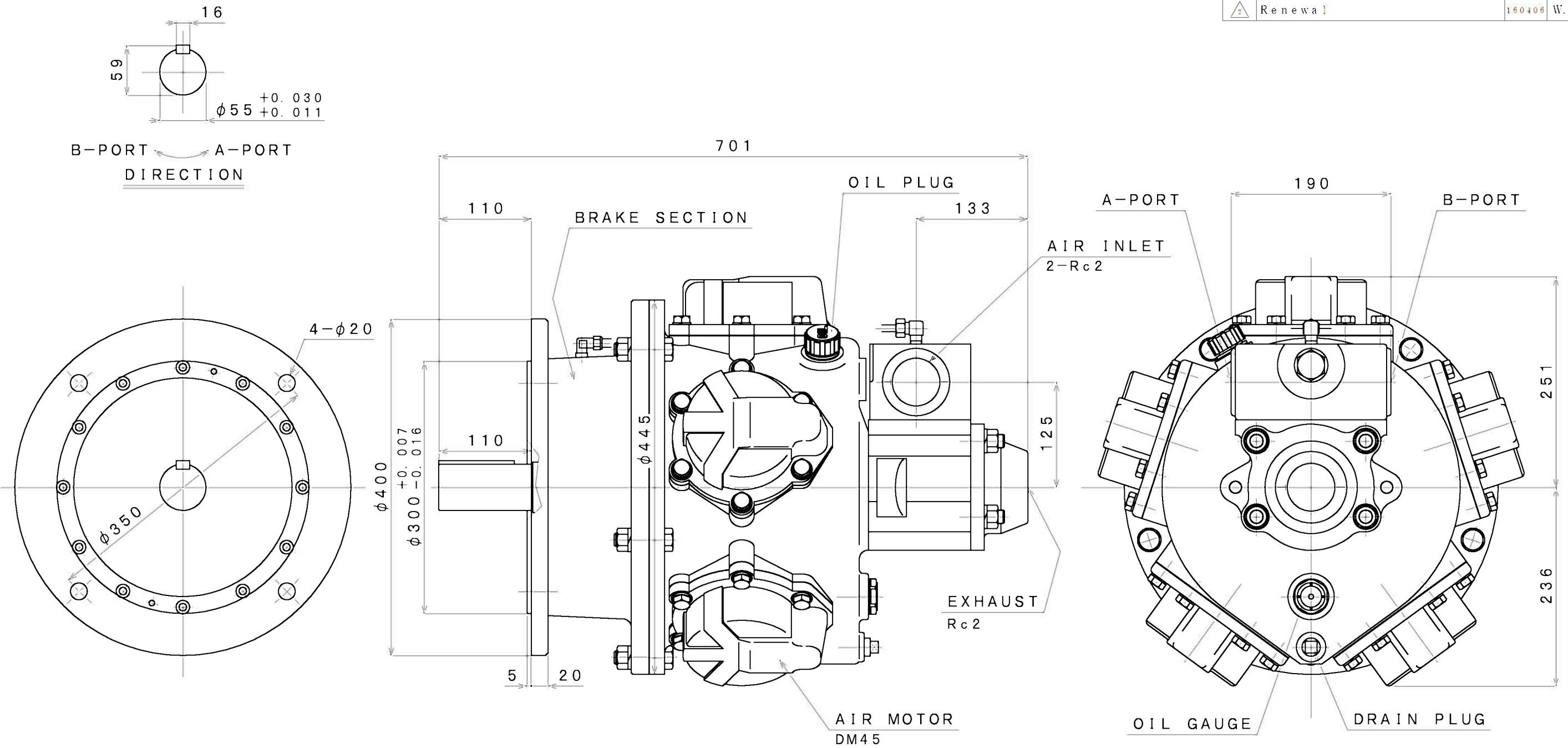


SIGN	REVISION	DATE	B Y
1	Renewal	111103	R. T
2	Renewal	160408	W. S



SPECIFICATION

AIR PRESSURE	AT MAXIMUM OUTPUT				* ALLOWABLE SHAFT LOAD		LUBRICATING OIL	MASS
	OUTPUT	SPEED	TORQUE	AIR CONSUMPTION Δ	RADIAL	THRUST		
(MPa)	(kW)	(rpm)	(N·m)	(m ³ /min (nor))	(kN)	(kN)	AIR MOTOR	(kg)
0.6	17.6	850	198	17.0	5.2	1.0	Δ JIS K2213-1	about 193
0.5	14.2	800	170	14.0				
0.4	11.2	750	143	12.0				

*: At Mid of Shaft

APPROVED	CHECKED	REVIEWED	DRAWN	PARTICULARS	OUTLINE DRAWING	DATE	JAN. 06. 2010
M. M		W. S		MODEL	DM45B-HFD1	NOTE	
					AIR MOTOR	Z10-001	
SAN-EI SEIKI SEISAKUSHO CO., LTD.				DWG. NO.	E310-004 Δ	SCALE	1/5