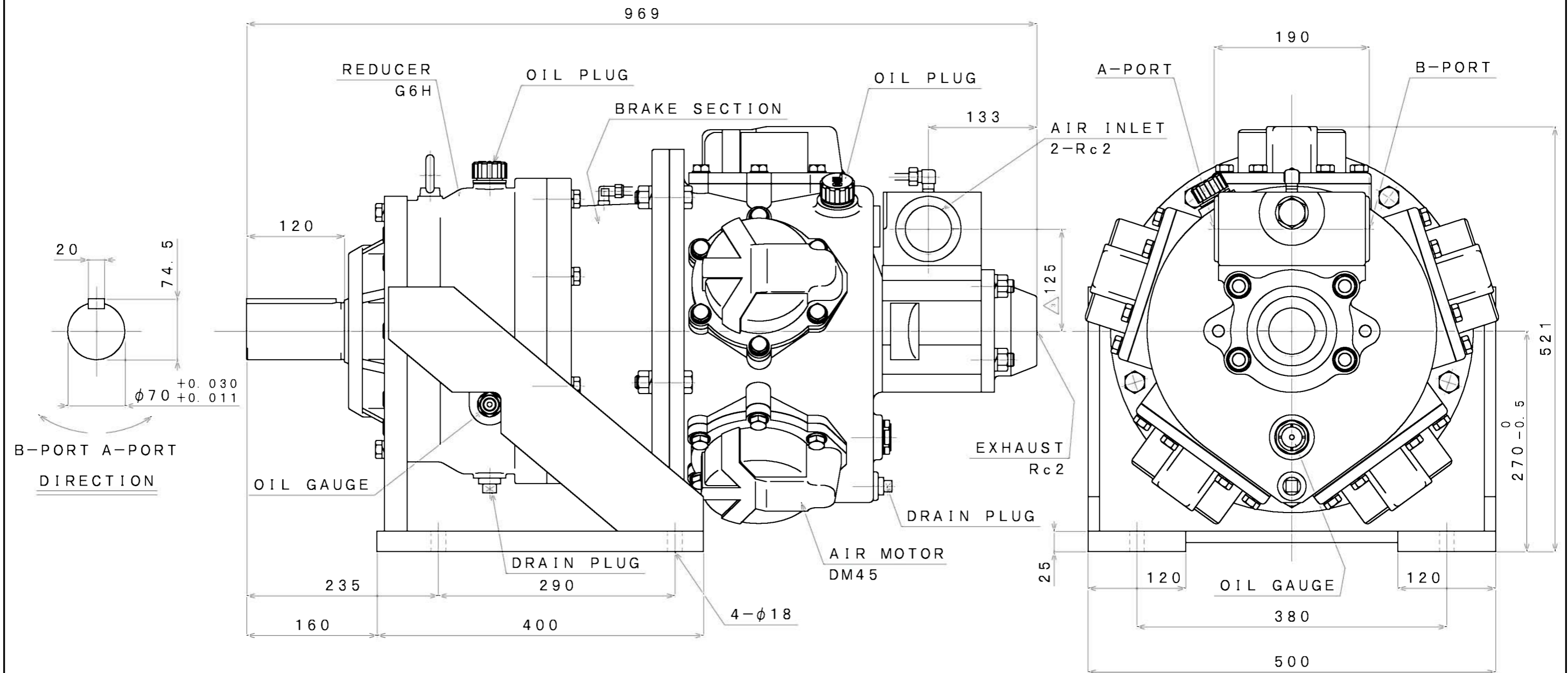


SIGN	REVISION	DATE	B Y
1	Renewal	111102	R. T
2	Correction	120228	R. T
3	Renewal, Correction	160406	W. S



**SPECIFICATION**

AIR PRESSURE	AT MAXIMUM OUTPUT				* ALLOWABLE SHAFT LOAD		LUBRICATING OIL		MASS
	OUTPUT	SPEED	TORQUE	AIR CONSUMPTION	RADIAL	THRUST	AIR MOTOR	REDUCER	
(MPa)	(kW)	(rpm)	(N·m)	(m <sup>3</sup> /min (nor))	(kN)	(kN)	JIS K2213-1 Turbine Oil	JIS K2219 Gear Oil	(kg)
0.6	16.9	240	671	17.0	11.5	3.0	ISO VG32 (1400cc)	ISO VG220 (1200cc)	about 390
0.5	13.5	230	560	14.0					
0.4	10.5	210	478	12.0					

\*: At Mid of Shaft

APPROVED	CHECKED	REVIEWED	DRAWN	PARTICULARS	OUTLINE DRAWING	DATE	JAN. 15. 2010
M. M		W. S		MODEL	DM45BG6H4B	NOTE	
SAN-EI SEIKI SEISAKUSHO CO., LTD.					DWG. NO.	E310-052	SCALE
							1/5