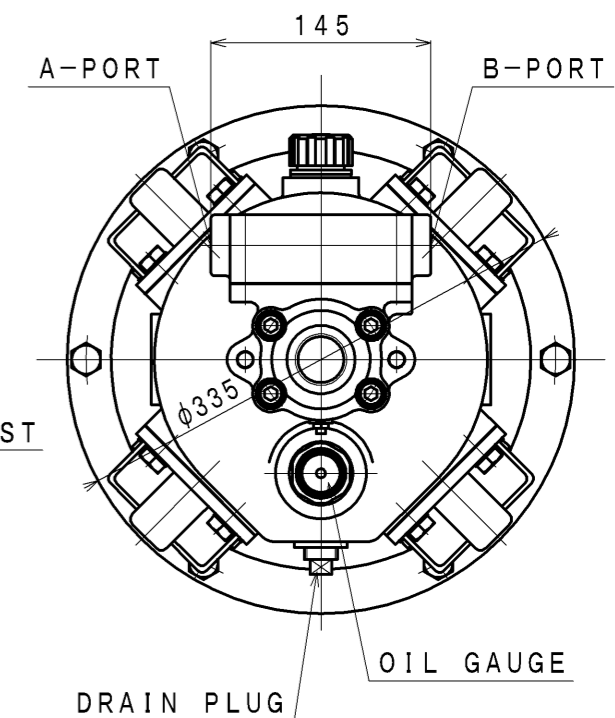
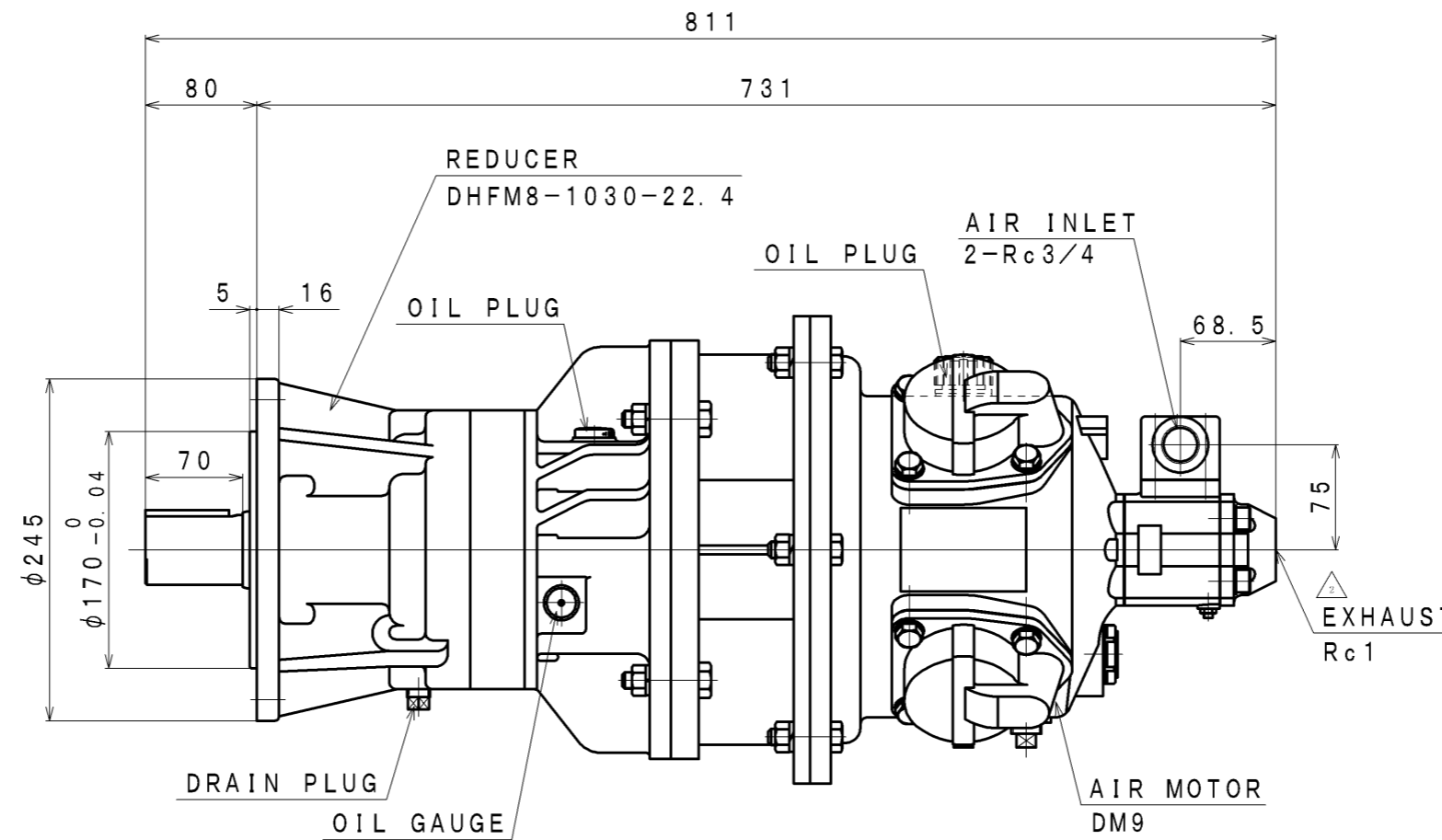
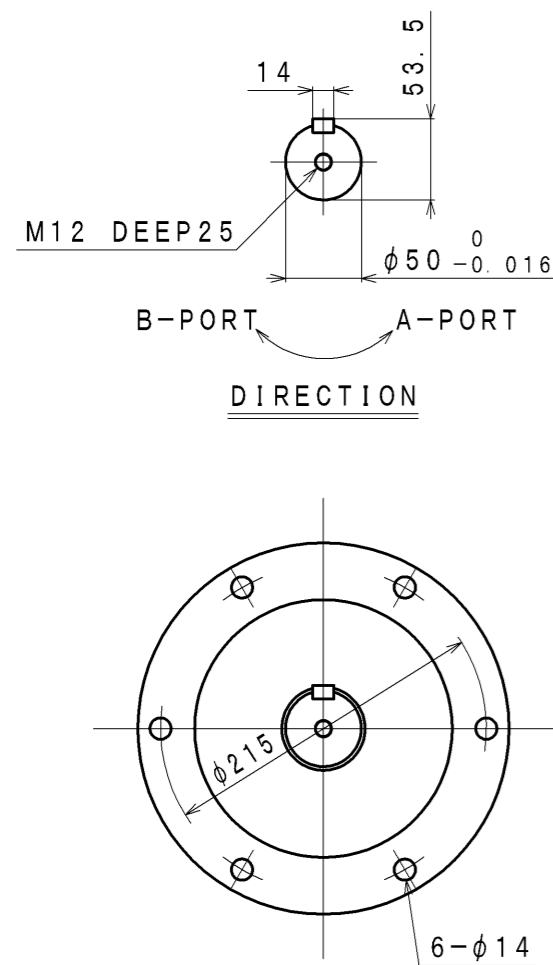


SIGN	REVISION	DATE	B Y
△1	Renewal	111101	R. T
△2	Renewal	160406	W. S



**SPECIFICATION**

AIR PRESSURE (MPa)	AT MAXIMUM OUTPUT				* ALLOWABLE SHAFT LOAD		LUBRICATING OIL		MASS (kg)
	OUTPUT (kW)	SPEED (rpm)	TORQUE (N·m)	AIR CONSUMPTION (m <sup>3</sup> /min (nor))	RADIAL (kN)	THRUST (kN)	AIR MOTOR	REDUCER	
0.6	3.70	49	721	3.7	7.9	-	△1 JIS K2213-1 Turbine Oil	JIS K2219 Gear Oil	about 95
0.5	3.03	47	616	3.4			ISO VG32	ISO VG220	
0.4	2.45	43	544	2.9			(1000cc)	(600cc)	

\*:At Mid of Shaft

APPROVED	CHECKED	REVIEWED	DRAWN	PARTICULARS	OUTLINE	DATE	OCT. 07. 2010
M. M	M. S	K. S	R. T	MODEL	DM9-F-1030-22.4	NOTE	
					AIR MOTOR		
SAN-EI SEIKI SEISAKUSHO CO., LTD.					DWG. NO.	E310-528	SCALE 1/5