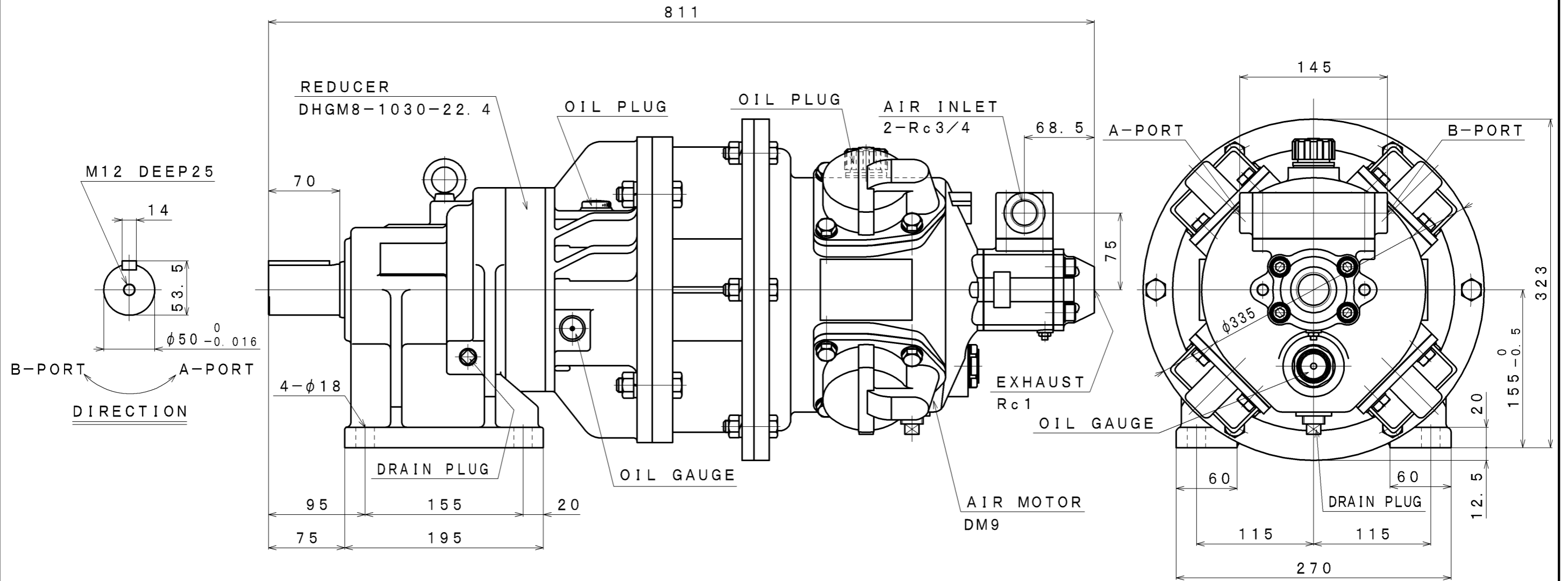


SIGN	REVISION	DATE	BY
△1	Renewal	111101	R. T
△2	Renewal	160406	W. S



**SPECIFICATION**

AIR PRESSURE	AT MAXIMUM OUTPUT				* ALLOWABLE SHAFT LOAD		LUBRICATING OIL		MASS
	OUTPUT	SPEED	TORQUE	AIR CONSUMPTION	RADIAL	THRUST	AIR MOTOR	REDUCER	
(MPa)	(kW)	(rpm)	(N·m)	(m <sup>3</sup> /min (nor))	(kN)	(kN)	△ JIS K2213-1 Turbine Oil ISO VG32 (1000cc)	JIS K2219 Gear Oil ISO VG220 (600cc)	(kg)
0.6	3.70	49	721	3.7	7.9	-			about 100
0.5	3.03	47	616	3.4					
0.4	2.45	43	544	2.9					

\*: At Mid of Shaft

APPROVED	CHECKED	REVIEWED	DRAWN	PARTICULARS	OUTLINE	DATE
M. M	M. S	K. S	R. T	MODEL	DM9-G-1030-22.4	OCT. 07. 2010
					AIR MOTOR	NOTE
SAN-EI SEIKI SEISAKUSHO CO., LTD.					DWG. NO.	SCALE
					E310-552	1/4