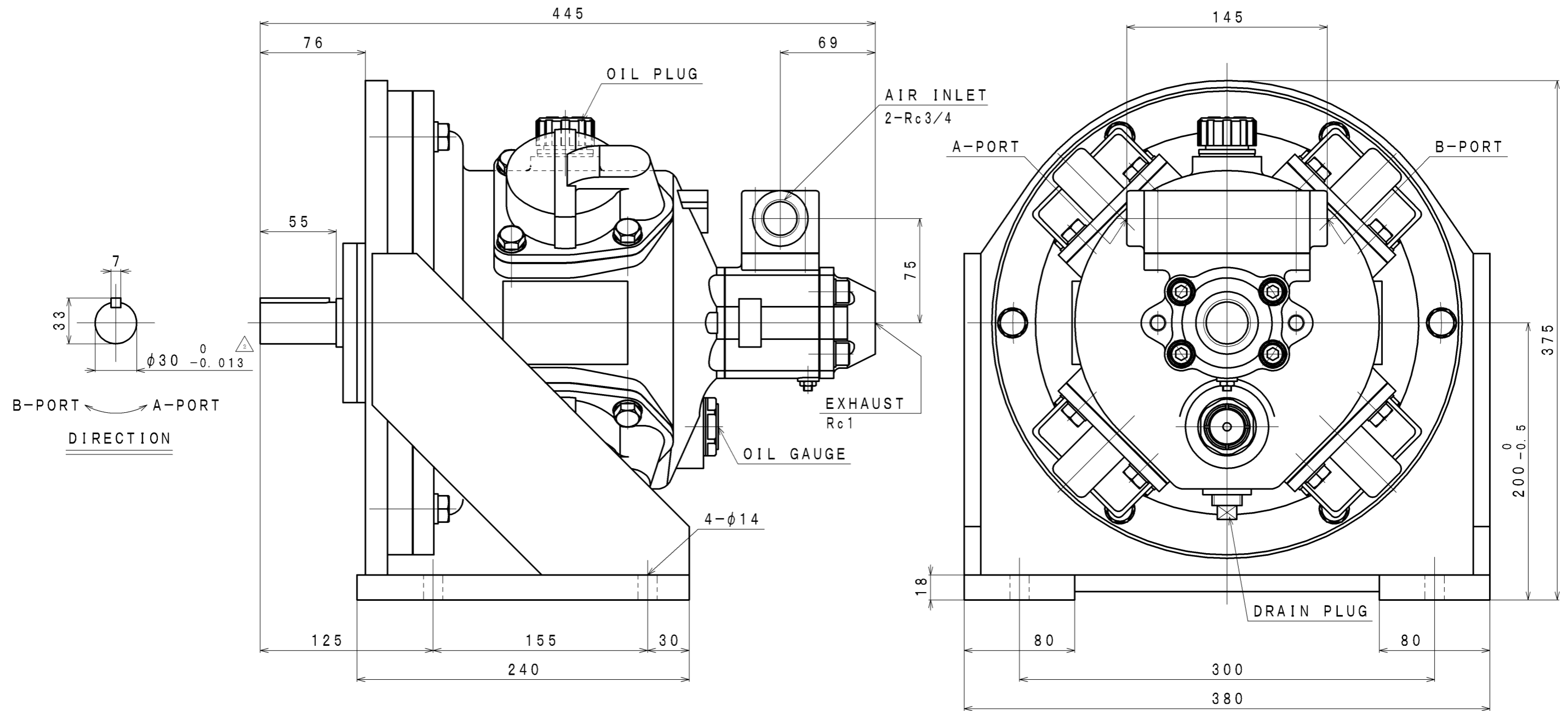


SIGN	REVISION	DATE	B Y
△1	Renewal	111101	R. T
△2	Renewal, Correction	160406	W. S



B-PORT → A-PORT  
DIRECTION

**SPECIFICATION**

AIR PRESSURE	AT MAXIMUM OUTPUT				* ALLOWABLE SHAFT LOAD		LUBRICATING OIL	MASS
	OUTPUT	SPEED	TORQUE	AIR CONSUMPTION	RADIAL	THRUST		
(MPa)	(kW)	(rpm)	(N·m)	(m <sup>3</sup> /min (nor))	(kN)	(kN)	AIR MOTOR	(kg)
0.6	3.90	1060	35.1	3.7	1.47	0.29	△ JIS K2213-1	about 59
0.5	3.14	1000	30.0	3.4			ISO VG32	
0.4	2.55	920	26.5	2.9			(1000cc)	

\*:At Mid of Shaft

APPROVED	CHECKED	REVIEWED	DRAWN	PARTICULARS	OUTLINE DRAWING	DATE	DEC. 17. 2009
M. M		W. S		MODEL	DM9-HBD1	NOTE	
					AIR MOTOR	Z86-017	
SAN-EI SEIKI SEISAKUSHO CO., LTD.					DWG. NO.	E309-199	SCALE 1/3