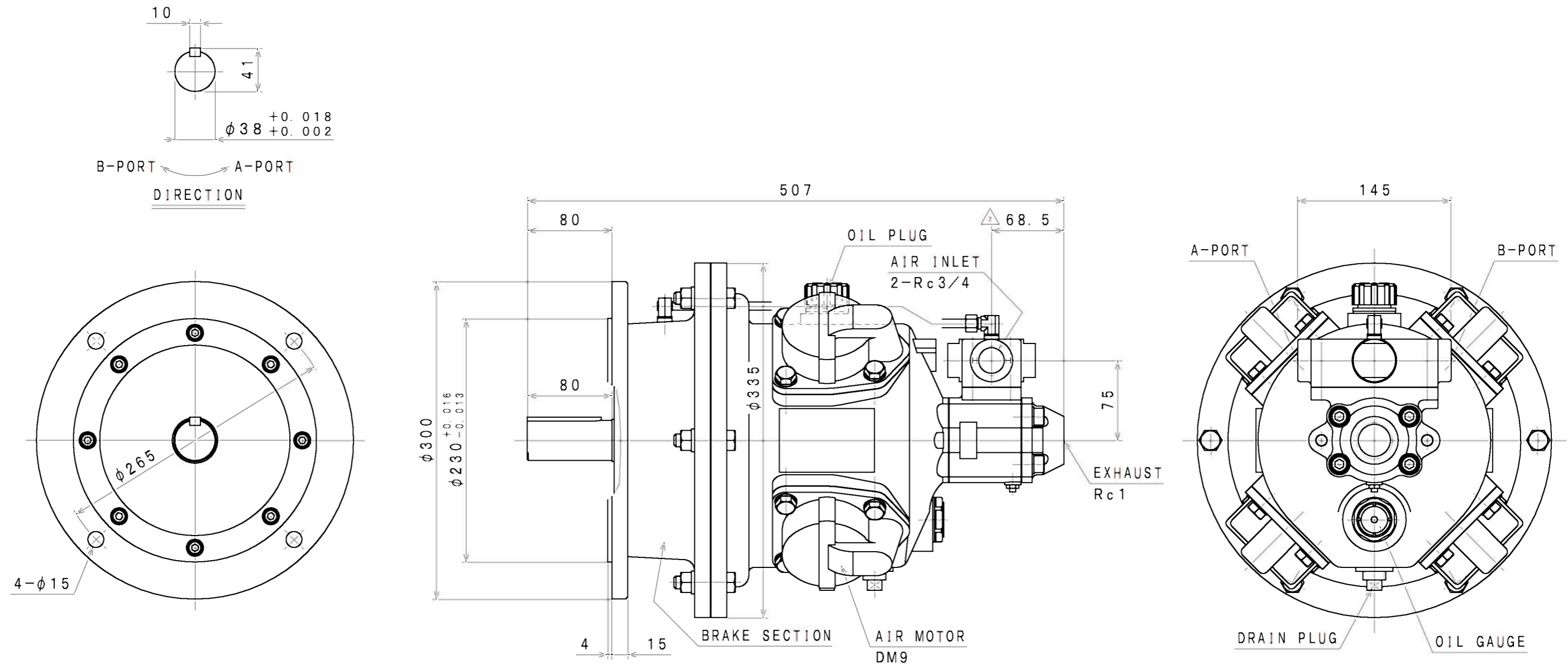


| SIGN | REVISION | DATE | B | Y |
|------|----------|--------|----|---|
| 1 | Renewal | 091228 | W. | S |
| 2 | Renewal | 111102 | R. | T |
| 3 | Renewal | 160406 | W. | S |



SPECIFICATION

| AIR PRESSURE (MPa) | AT MAXIMUM OUTPUT | | | | * ALLOWABLE SHAFT LOAD | | LUBRICATING OIL AIR MOTOR JIS K2213-1 Turbine Oil ISO VG32 (1000cc) | MASS (kg) about 69 |
|-----------------------|-------------------|----------------|-----------------|--|------------------------|----------------|--|--------------------------|
| | OUTPUT (kW) | SPEED (rpm) | TORQUE (N·m) | AIR CONSUMPTION (m ³ /min (nor)) | RADIAL (kN) | THRUST (kN) | | |
| 0.6 | 3.90 | 1060 | 35.1 | 3.7 | 1.5 | 0.3 | | |
| 0.5 | 3.14 | 1000 | 30.0 | 3.4 | | | | |
| 0.4 | 2.55 | 920 | 26.5 | 2.9 | | | | |

*: At Mid of Shaft

| APPROVED | CHECKED | REVIEWED | DRAWN | PARTICULARS | OUTLINE DRAWING | DATE | May. 17. 2004 |
|-----------------------------------|---------|----------|-------|-------------|-----------------|---------|---------------|
| M. M | | W. S | | MODEL | DM9B-HFD1 | NOTE | |
| | | | | | AIR MOTOR | Z98-005 | |
| SAN-EI SEIKI SEISAKUSHO CO., LTD. | | | | DWG. NO. | E304-061 | SCALE | 1/4 |