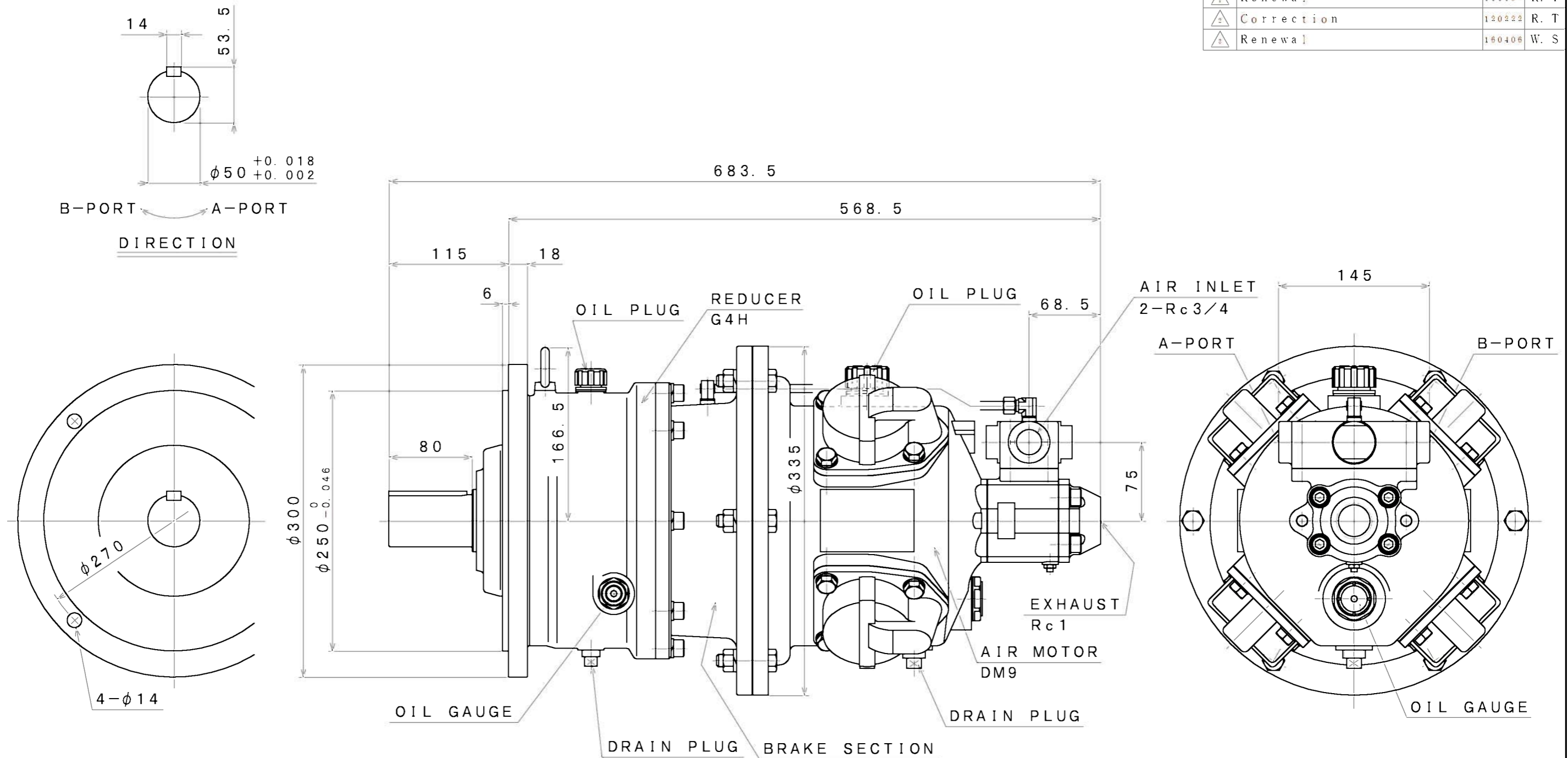


SIGN	REVISION	DATE	B Y
1	Renewal	111103	R. T
2	Correction	120222	R. T
3	Renewal	150406	W. S



SPECIFICATION

AIR PRESSURE	AT MAXIMUM OUTPUT				* ALLOWABLE SHAFT LOAD		LUBRICATING OIL		MASS
	OUTPUT	SPEED	TORQUE	AIR CONSUMPTION Δ	RADIAL	THRUST	AIR MOTOR	REDUCER	
(MPa)	(kW)	(rpm)	(N·m)	(m ³ /min (nor))	(kN)	(kN)	Δ JIS K2213-1 Turbine Oil	JIS K2219 Gear Oil	(kg)
0.6	3.74	300	119.0	3.7	4.0	0.8	ISO VG32 (1000cc)	ISO VG220 (320cc)	Δ about 119
0.5	3.00	290	98.8	3.4					
0.4	2.40	260	88.1	2.9					

*: At Mid of Shaft

APPROVED	CHECKED	REVIEWED	DRAWN	PARTICULARS	OUTLINE DRAWING	DATE	JAN. 09. 2010
M. M		W. S		MODEL	DM9BG4H4F	NOTE	
					AIR MOTOR	Z02-041	
SAN-EI SEIKI SEISAKUSHO CO., LTD.					DWG. NO.	E310-026	SCALE 1/4