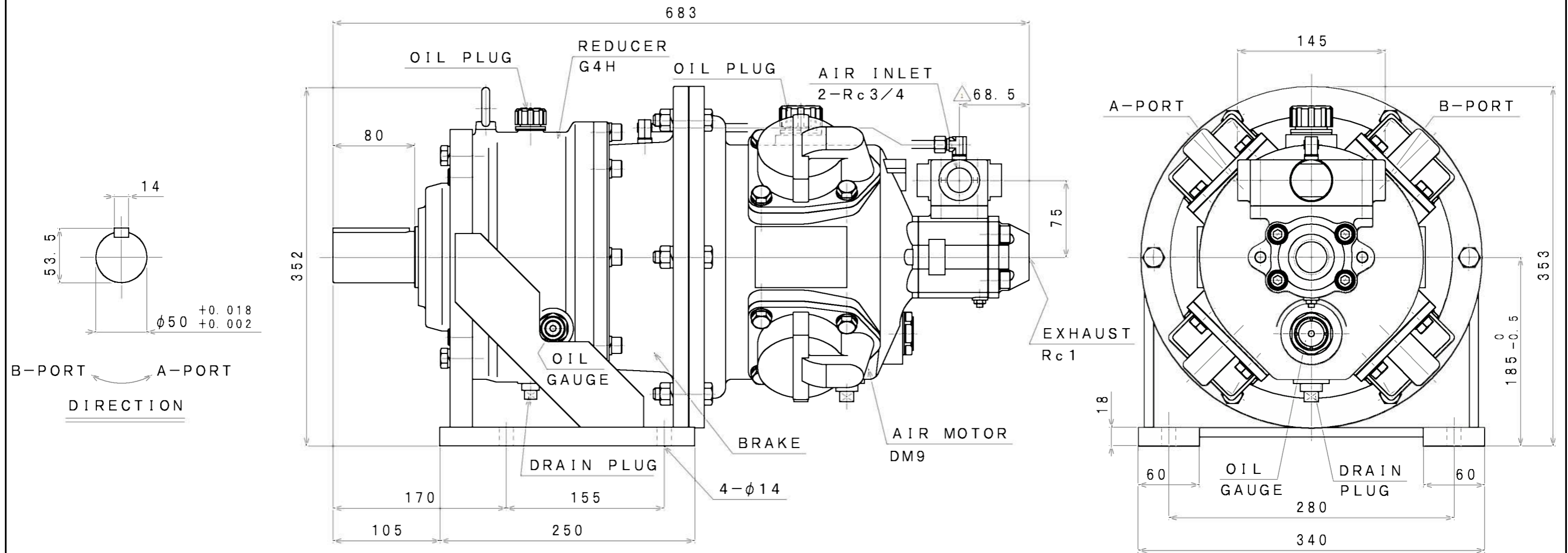


SIGN	R E V I S I O N	DATE	B Y
△	Renewal	160406	W. S



SPECIFICATION

AIR PRESSURE (MPa)	AT MAXIMUM OUTPUT				※ ALLOWABLE SHAFT LOAD		LUBRICATING OIL		MASS (kg)
	OUTPUT (kW)	SPEED (rpm)	TORQUE (N·m)	AIR CONSUMPTION (m ³ /min (nor))	RADIAL (kN)	THRUST (kN)	AIR MOTOR	REDUCER	
0.6	3.74	130	275	3.7			JIS K2213-1 Turbine Oil	JIS K2219 Gear Oil	about 129
0.5	3.00	120	239	3.4	5.4	0.8	ISO VG32 (1000cc)	ISO VG220 (320cc)	
0.4	2.40	110	208	2.9					

※: At Mid of Shaft

APPROVED	CHECKED	REVIEWED	DRAWN	PARTICULARS	OUTLINE DRAWING	DATE	FEB. 28. 2012
M. S	K. S		R. T	MODEL	DM9BG4H8B	NOTE	
SAN-EI SEIKI SEISAKUSHO CO., LTD.				DWG. NO.	E312-054	Z98-030	SCALE 1/4