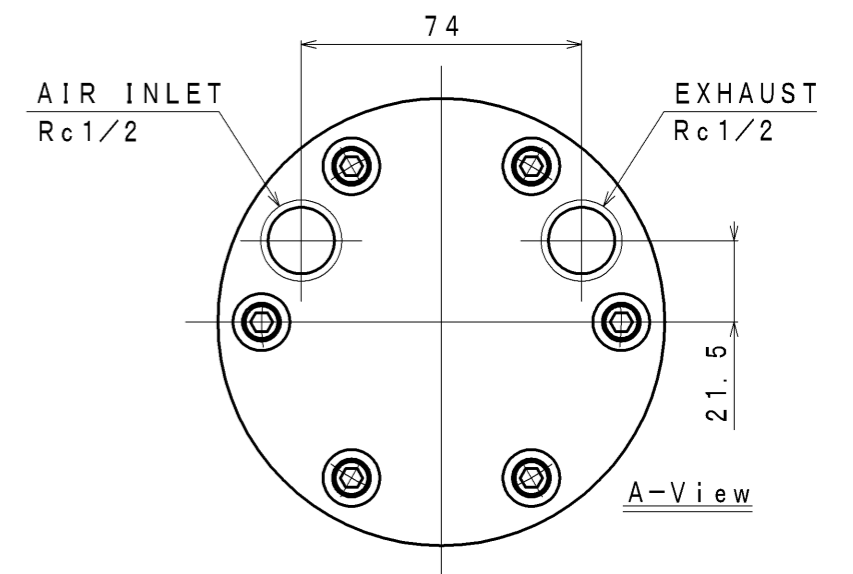
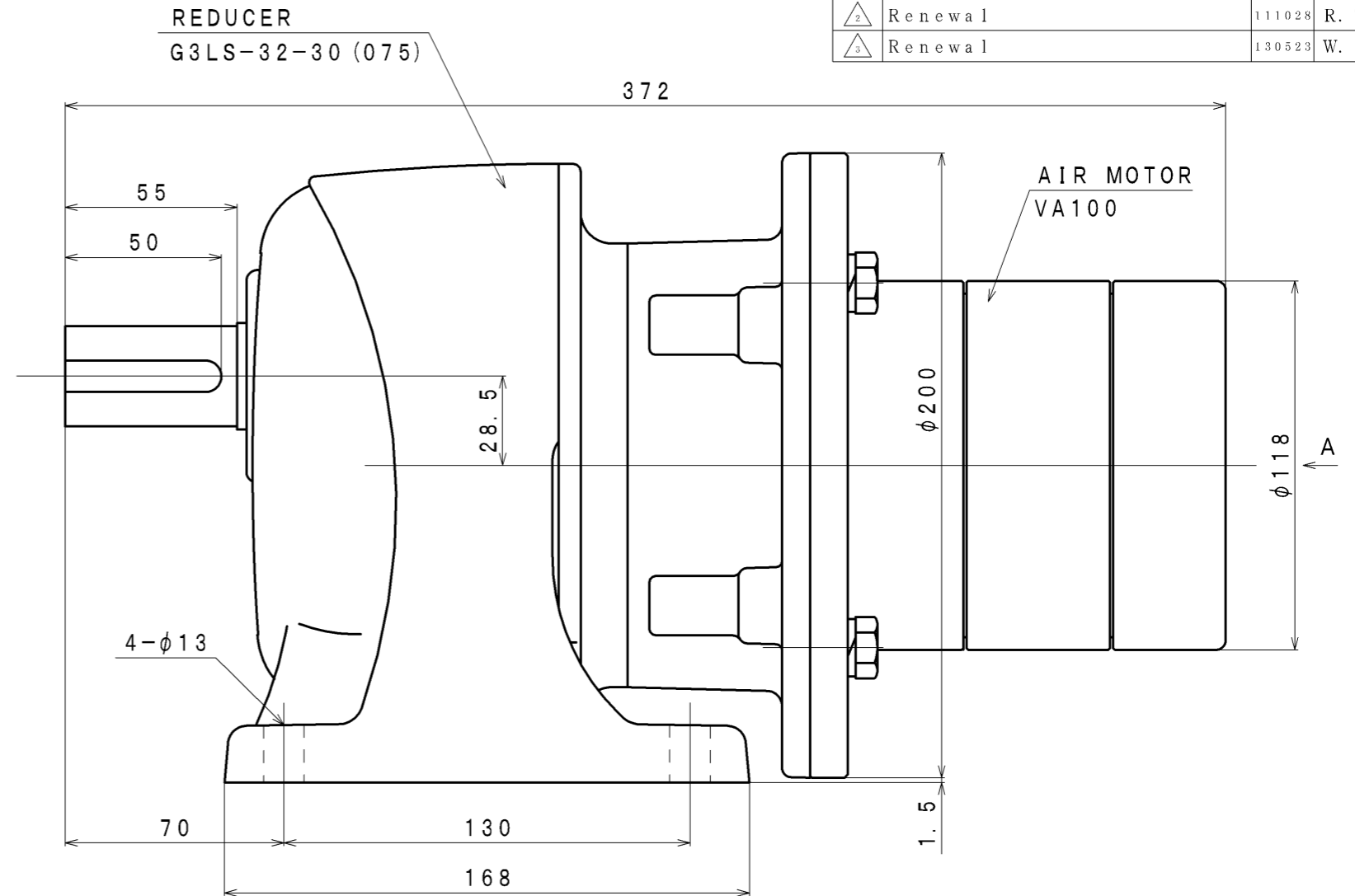
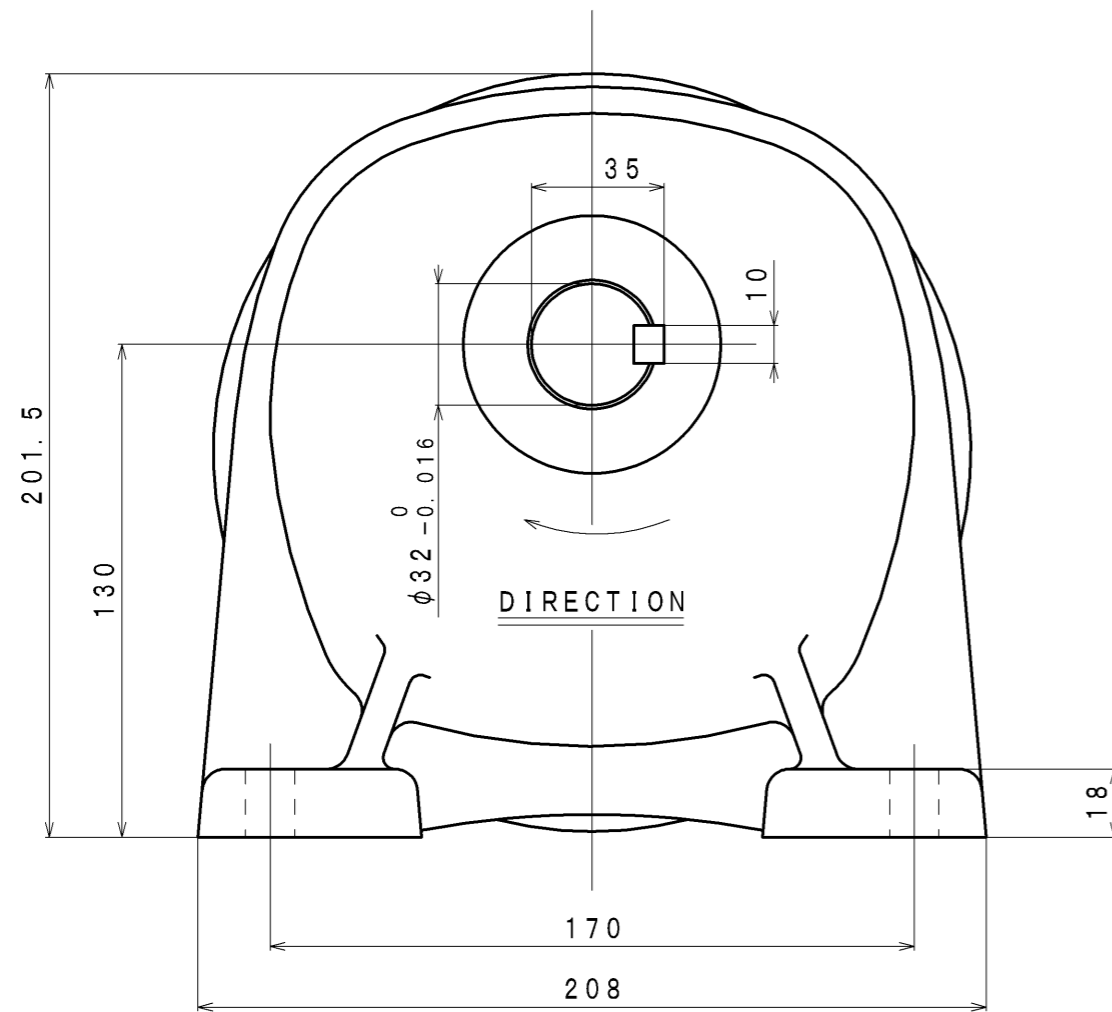


SIGN	REVISION	DATE	B Y
①	Renewal	100302	W. S
②	Renewal	111028	R. T
③	Renewal	130523	W. S



SPECIFICATION

AIR PRESSURE (MPa)	AT MAXIMUM OUTPUT				※ ALLOWABLE SHAFT LOAD		LUBRICATING OIL AIR MOTOR (Line Oiler) △ JIS K2213-1 Turbine Oil ISO VG32 (Line Oiler Dripping Quantity: 3~4 drop/min)	MASS (kg)
	OUTPUT (kW)	SPEED (rpm)	TORQUE (N·m)	AIR CONSUMPTION (m ³ /min (nor))	RADIAL (N)	THRUST (N)		
0.6	0.78	65	114.7	1.52	3972	1422	about 19.4	
0.5	0.64	60	101.4	1.30				
0.4	0.51	54	90.2	1.08				

※: At Mid of Shaft

APPROVED	CHECKED	REVIEWED	DRAWN	PARTICULARS	OUTLINE DRAWING	DATE	APR. 28. 2009
M. M		W. S		MODEL	VA100L-B030	NOTE	
					AIR MOTOR	Z96-093	
SAN-EI SEIKI SEISAKUSHO CO., LTD.					DWG. NO.	E308-272	SCALE 1/2